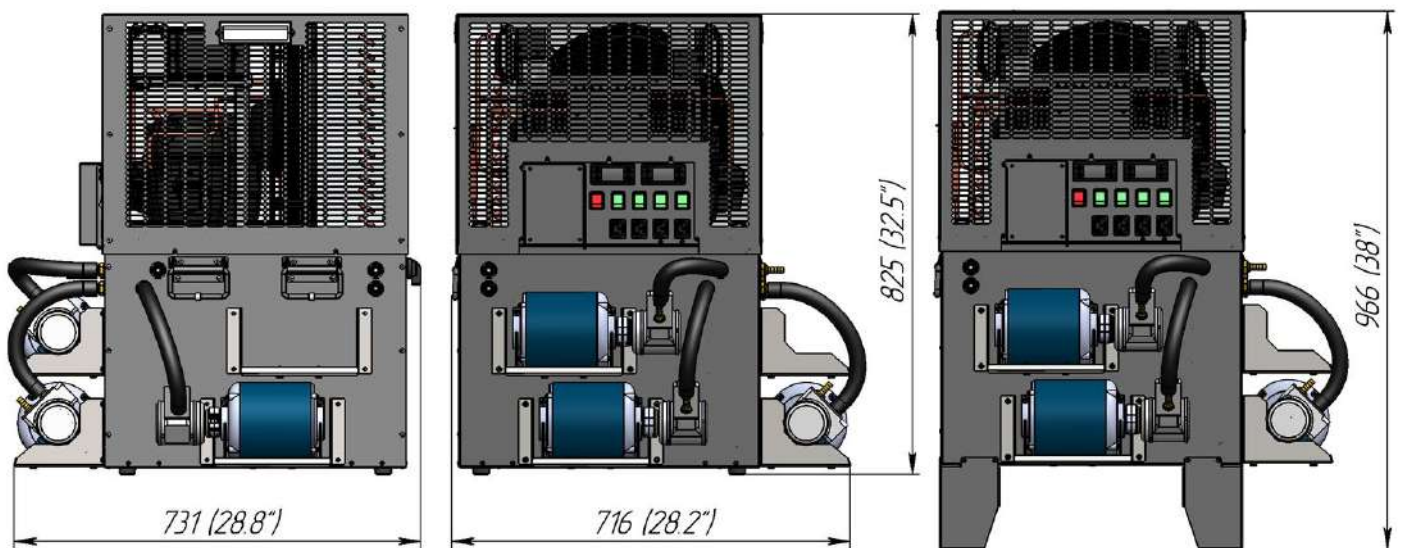


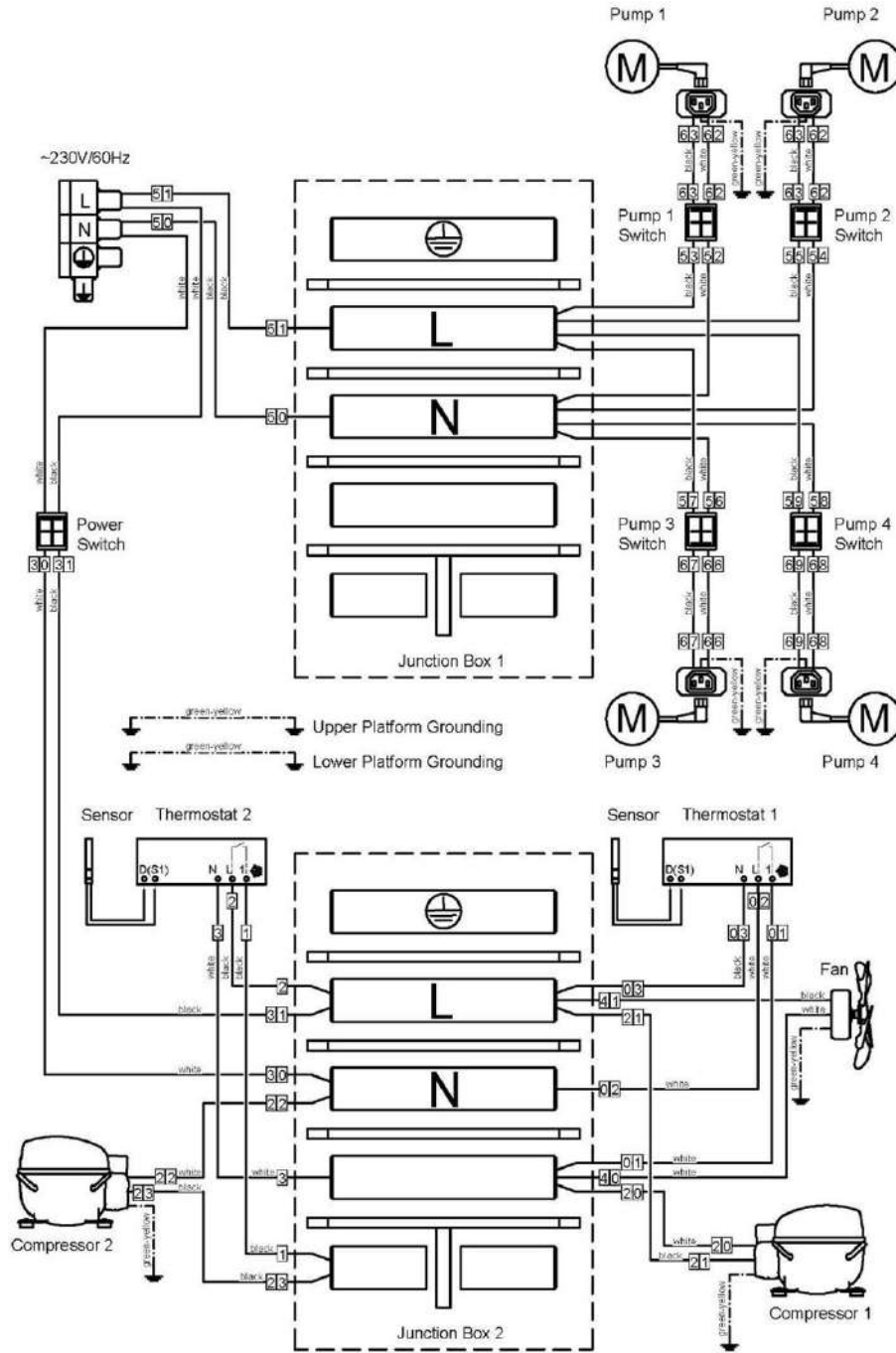


DIMENSIONS



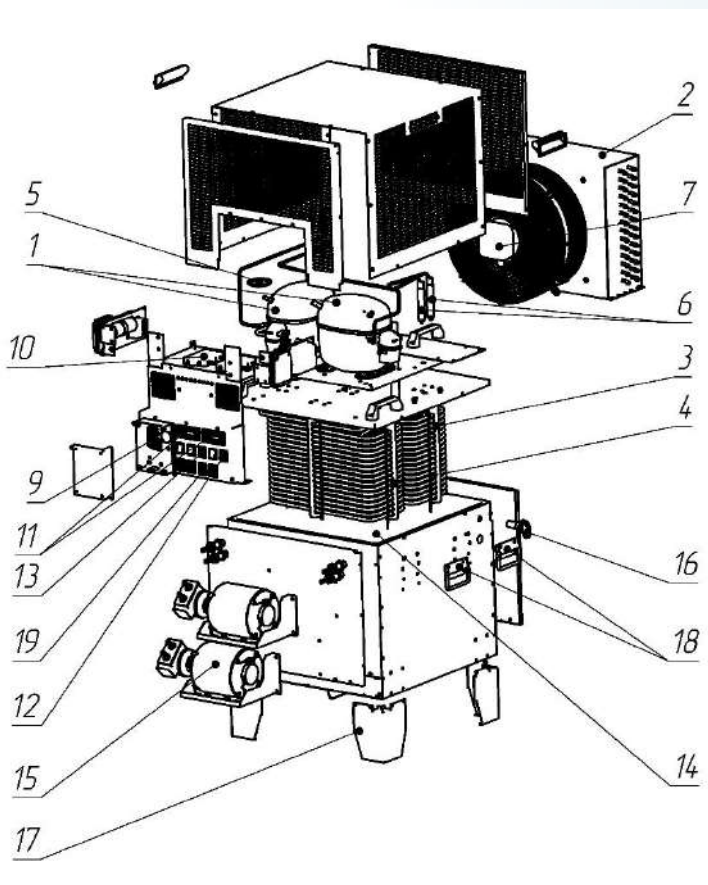
SPECIFICATIONS

INTERNAL NUMBER	027.00.000.00-XX
PART NUMBER	CP13000-3
MAXIMUM DISTANCE, FT	up to 750
CAPACITY, BTU/H	13000
GLYCOL TANK CAPACITY, GAL	18
COMPRESSOR POWER, HP	1+1
RUNNING, AMP	With 1 pump - 12.7 A With 2 pumps - 15.5 A With 3 pumps - 18.3 A
PLUG TYPE (NEMA #)	HardWire
VOLTAGE, V	208/230
FREQUENCY, HZ	60
PUMP TYPE	Vane with 1/3 hp motor
PUMP, GPH	80
NUMBER OF PRE-INSTALLED PUMPS	3
NUMBER OF ADDITIONAL PUMPS	1
REFRIGERANT	R290
REFRIGERANT CHARGE, G (OZ)	150 (5.29) + 150 (5.29)
WEIGHT GROSS/NET, LBS	251 / 244
POWER CORD LENGTH, FT	6
INLET/OUTLET BARB, IN	3/8
OPERATING AMBIENT TEMPERATURE, °F	60-90
CLEARANCE AT LEAST	12" around the entire unit
GLYCOL MIXTURE, VOL%	40% glycol and 60% water



WIRING DIAGRAM

PARTS



1	Compressor "SECOP" SCE18MNX 208-230 V/60Hz
2	Air condenser "KARYER" TFCA2F4P5470 C (390x494x195)
3	Evaporator №1
4	Evaporator №2
5	Cap
6	Filter-drier "DE-NA" GR-15 d6.1xd6.1xd2.5
7	Fan "WEIGUANG" YWF4E-350S
8	Capillary tube
9	Junction box "ITW ELETTRGIBI" FV110B
10	Junction box "ITW ELETTRGIBI" PA104
11	Thermostat "ELIWELL" EWPlus 961 EW17YI0XB4B01 (208-230 V/ 60Hz) or "DANFOSS" ERC 111A (208-230 V/ 60Hz)
12	Power switch "ARCOLECTRIC" C6053ALBR (Red)
13	Power switch "ARCOLECTRIC" C6053ALBG (Green)
14	Glycol bath
15	Glycol pump «FLUID-O-TECH» PA 2501 («PROCON» 102A080F11BA), cover to the pump « FLUID-O-TECH », set union joint « FLUID-O-TECH » 48 YZ and motor "UBC" YU250-4G01 (208-230V/60Hz)
16	Overflow
17	Foot
18	Handle
19	Connector R302SN 250V 10A