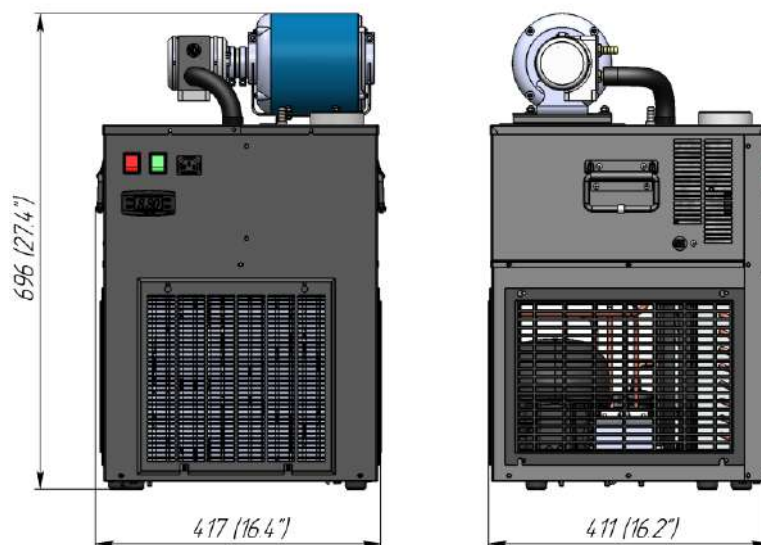



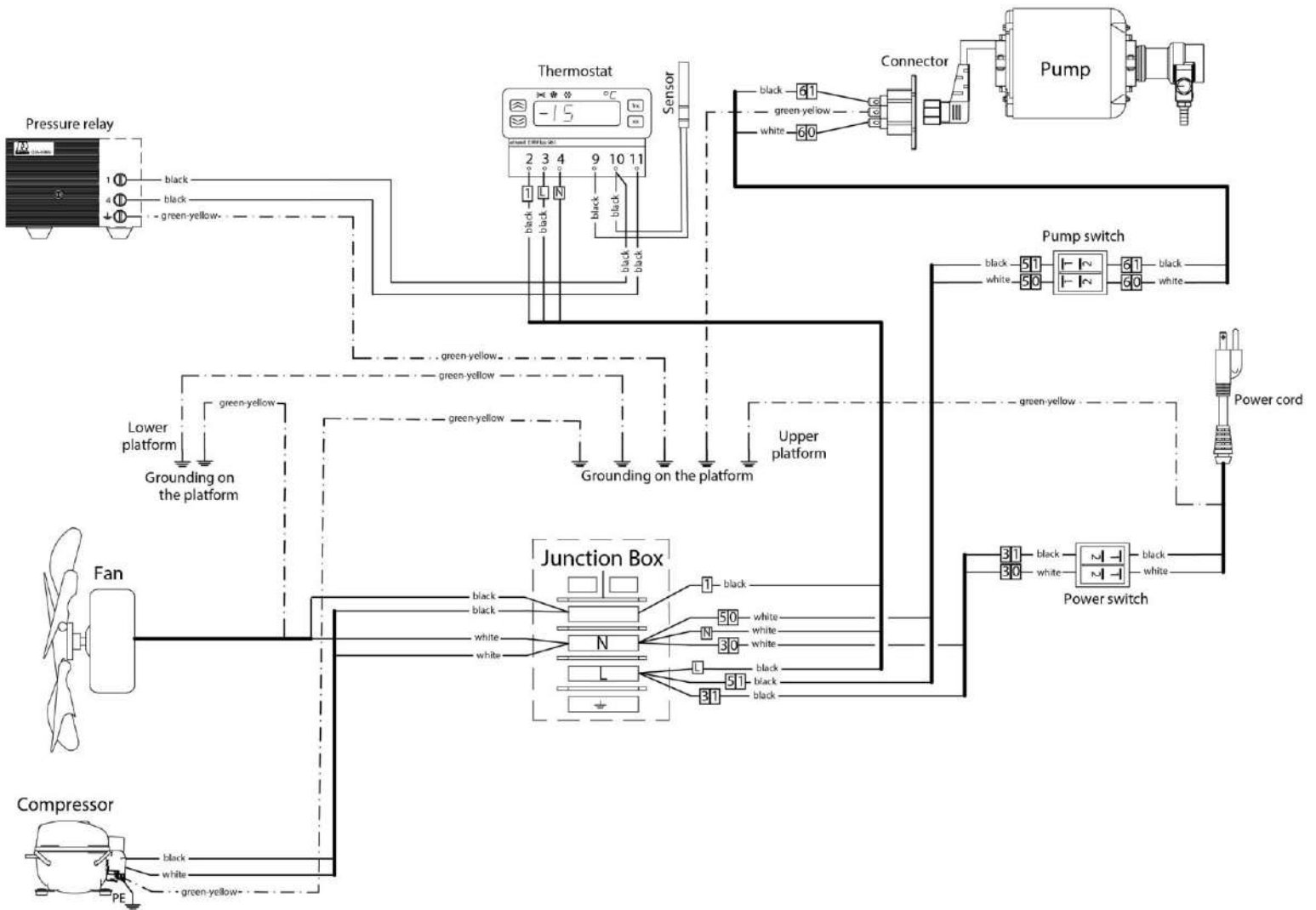


DIMENSIONS



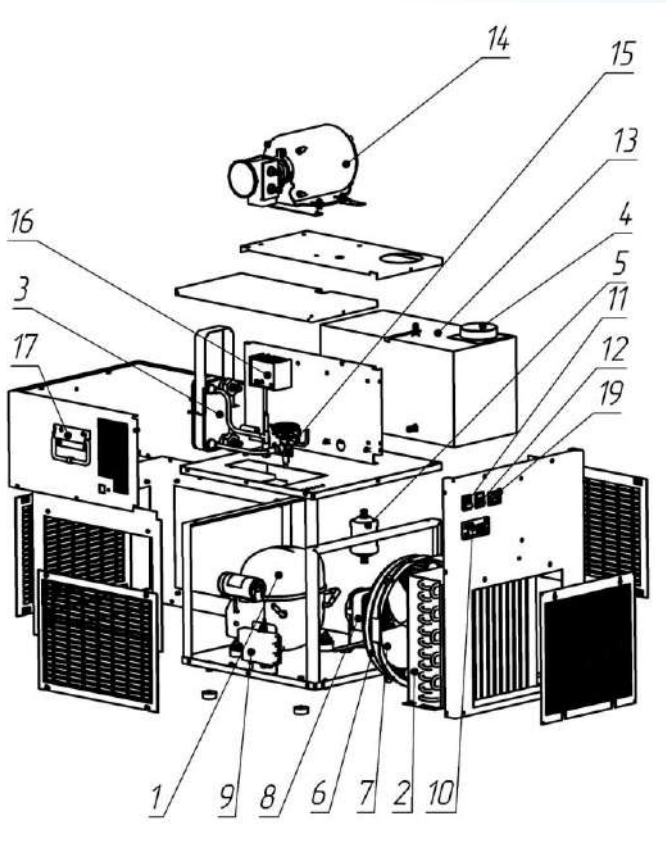
SPECIFICATIONS

INTERNAL NUMBER	233.00.000.00-XX
PART NUMBER	QP5500
MAXIMUM DISTANCE, FT	up to 350
CAPACITY, BTU/H	5500
GLYCOL TANK CAPACITY, GAL	2
COMPRESSOR POWER, HP	3/4
RUNNING, AMP	15.9
PLUG TYPE (NEMA #)	5-20P 
VOLTAGE, V	115
FREQUENCY, HZ	60
PUMP TYPE	Vane with 1/3 hp motor
PUMP, GPH	80
NUMBER OF PRE-INSTALLED PUMPS	1
NUMBER OF ADDITIONAL PUMPS	N/A
REFRIGERANT	R290
REFRIGERANT CHARGE, G (OZ)	110 (3.88) Secop / 150 (5.29) Embraco
WEIGHT GROSS/NET, LBS	120 / 115
POWER CORD LENGTH, FT	6
INLET/OUTLET BARB, IN	3/8
OPERATING AMBIENT TEMPERATURE, °F	60-90
CLEARANCE AT LEAST	12" around the entire unit
GLYCOL MIXTURE, VOL%	40% glycol and 60% water



WIRING DIAGRAM

PARTS



1	Compressor "Secop" NLE11MN (115-127V/60Hz), "Embraco" NEU 6214 U (115-127V/60Hz)
2	Air condenser "KARYER" B-26460
3	Plate heat exchanger "DANFOSS" C12L-EZ-20
4	Closure
5	Hermetic receiver filter-drier "DANFOSS" DMC0432S
6	Plastic grid "KARYER"
7	Impeller $\varnothing 254$ mm., $\alpha = 28^\circ$
8	Electric motor "ELCO" NU 16-30-2/096 (115V/50- 60Hz) UL "WGmotors" YZF 18-25 (18W)(110- 120V/60Hz) or "SW" YZ16-25 (16W)(110- 120V/60Hz)
9	Junction box "ITW ELETTRGIBI" PA104
10	Thermostat "ELIWELL" EWPlus 961 EW17Y10XB4A02 (115 V/ 60Hz)
11	Power switch "ARCOLECTRIC" C6053ALBR (Red)
12	Power switch "ARCOLECTRIC" C6053ALBG (Green)
13	Glycol bath
14	Glycol pump "FLUID-O-TECH" PA 2501 ("PROCON" 102A080F11BA), cover to the pump "FLUID-O-TECH", set union joint "FLUID-O-TECH" 48 YZ and motor "UBC" YU250-4G01 (115V/60Hz)
15	Thermostatic expansion valve "DANFOSS" TUBE R-290
16	Pressure switch "DANFOSS" KP-E
17	Handle
19	Connector R302SN 250V 10A