


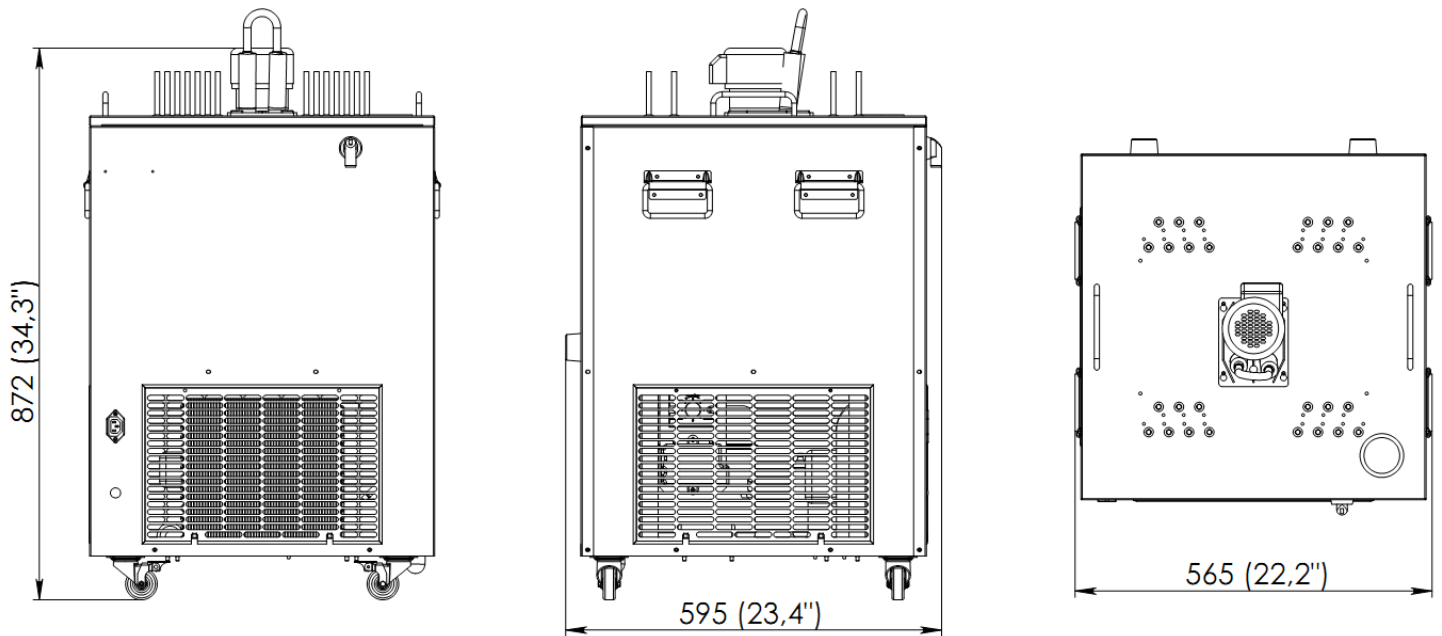
Beer-cooler Tayfun-220

Specifications

Overall dimension

Part Number	026.000.00.00-03
Capacity, GPH ($\Delta T = 36^{\circ}F$)	47
Dedicated Circuit, amp	15 
Compressor Power, HP	1/2+
Power consumption, Wt	860
Operating amperage, A	7,5
Water Tank volume, G	17,7
Water Pump capacity, GPH	240
Ice bank, lbs	53,6
Refrigerant	R134a
Ice forming time ($T_{amb}=75^{\circ}F$), h	5
Outlet temperature, $^{\circ}F$	38÷46
Number of coils	1-14
Width, in	22,2
Depth, in	23,4
Height, in	34,3
Net Weight, lbs	145,5
Power cord length, ft	6,6
Operating ambient temperature, $^{\circ}F$	75÷100
Clearance	at least 12" around the entire unit
Refrigerant (R134a) charge, lb	0,74



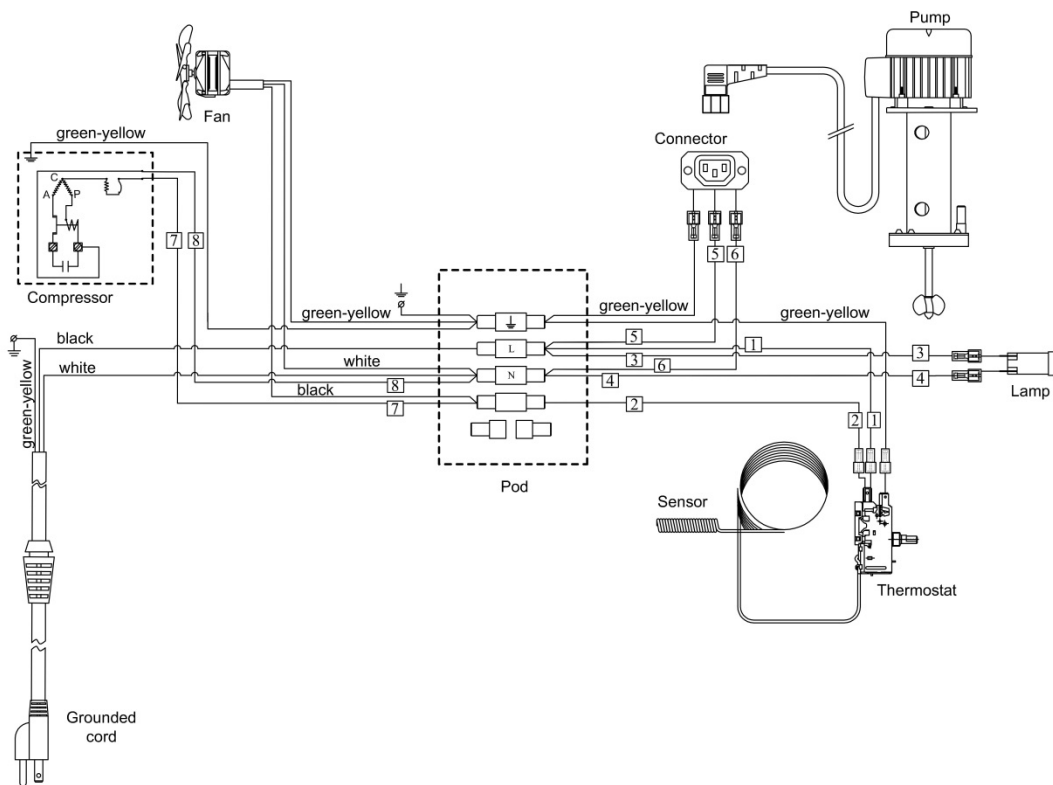


UNITED STATES UBC Distribution USA Inc, 65 North Central Dr., O'FALLON, MO, 63366
 ph.: +1 (636) 379-2226 Toll Free: +1 (888) 808-9286 fax.: +1 (866) 659-8904 info@beer-co.us

CANADA UBC COOL Canada Inc, 1143 Haultain Court, Mississauga, ON, L4W2K1, CANADA
 ph.: +1 (905) 629-2597 Toll Free: +1 (866) 995-9965 fax.: +1 (905) 629-2577 info@beer-co.ca

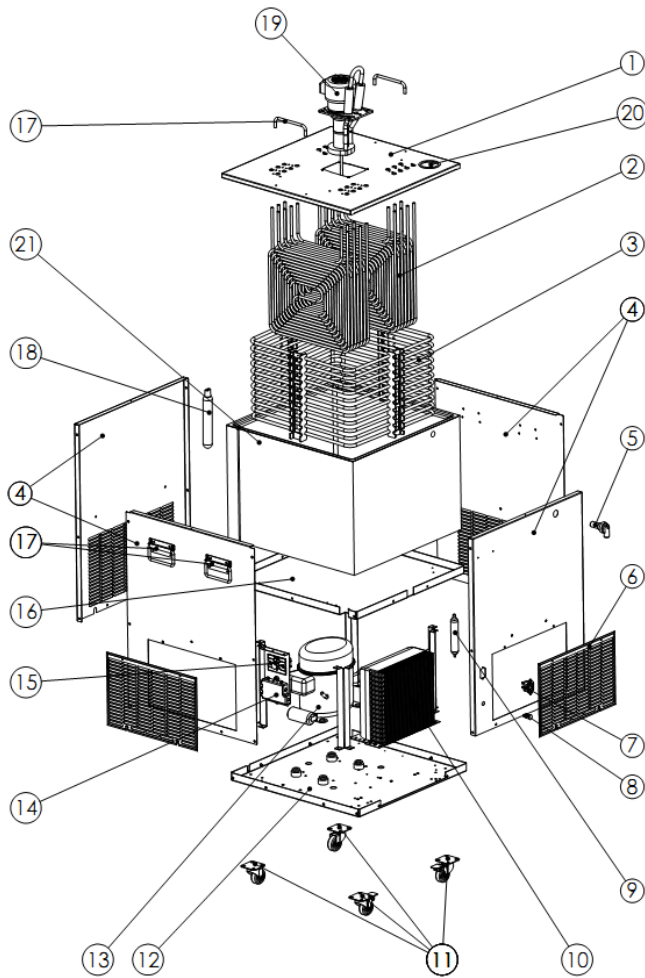
Beer-cooler Tayfun-220

Wiring diagram



1	Lids
2	Coils
3	Evaporator
4	Case
5	Overflow pipe
6	Grids

Parts



7	Connector RS components 65002-AC-2
8	Lamp "Elektron components LTD" C058900
9	Filter dryer "BVB" GR-30
10	Air condenser (with fan) «LU-VE» STVF 139
11	Wheels
12	Base
13	Compressor "EMBRACO" T6213Z
14	Terminal pod "ITW Elettrogibi" PA104
15	Thermostat "RANCO" K50H2005-003
16	Framing
17	Handles
18	Receiver "BVB" 30x200
19	Water Pump "TOTTON" SPC 51L
20	Cover
21	Water tank

UNITED STATES UBC Distribution USA Inc, 65 North Central Dr., O'FALLON, MO, 63366
 ph.: +1 (636) 379-2226 Toll Free: +1 (888) 808-9286 fax.: +1 (866) 659-8904 info@beer-co.us

CANADA UBC COOL Canada Inc, 1143 Haultain Court, Mississauga, ON, L4W2K1, CANADA
 ph.: +1 (905) 629-2597 Toll Free: +1 (866) 995-9965 fax.: +1 (905) 629-2577 info@beer-co.ca