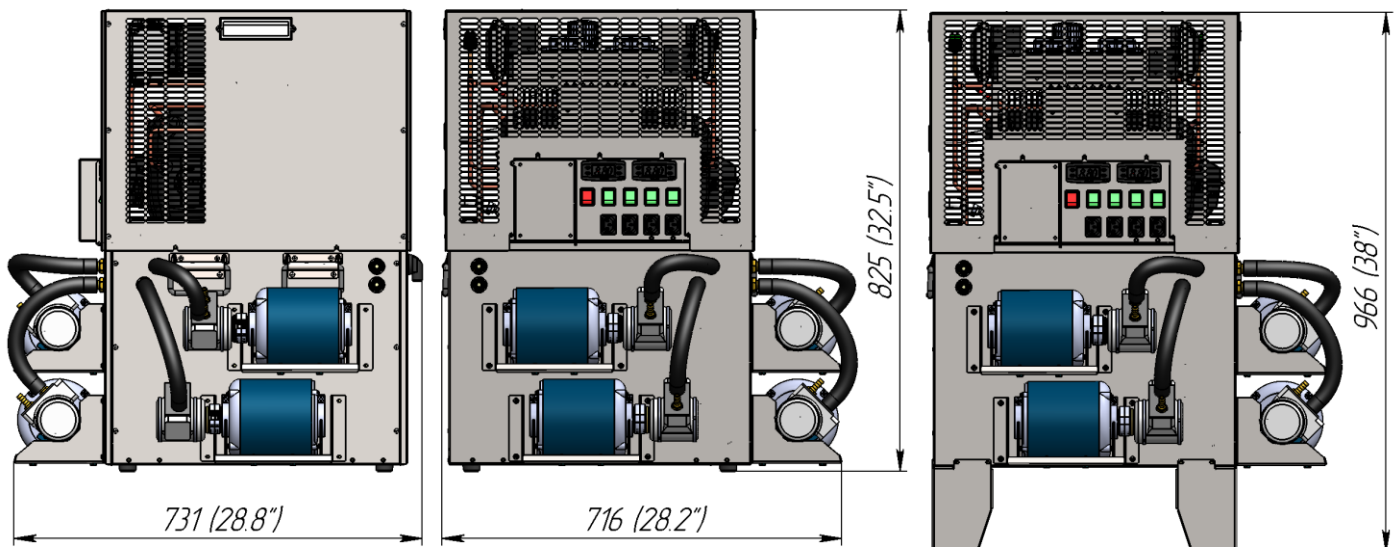


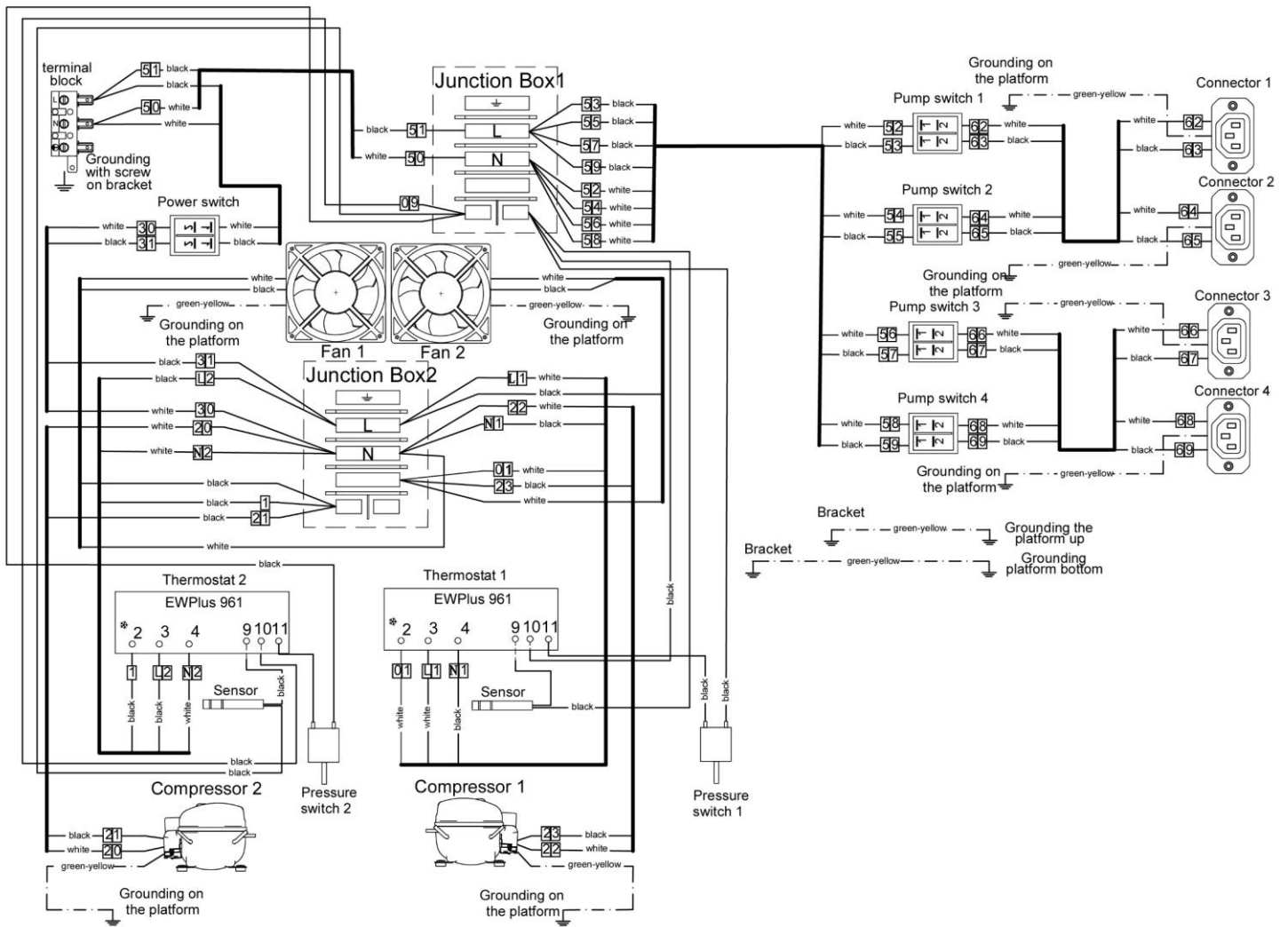


DIMENSIONS



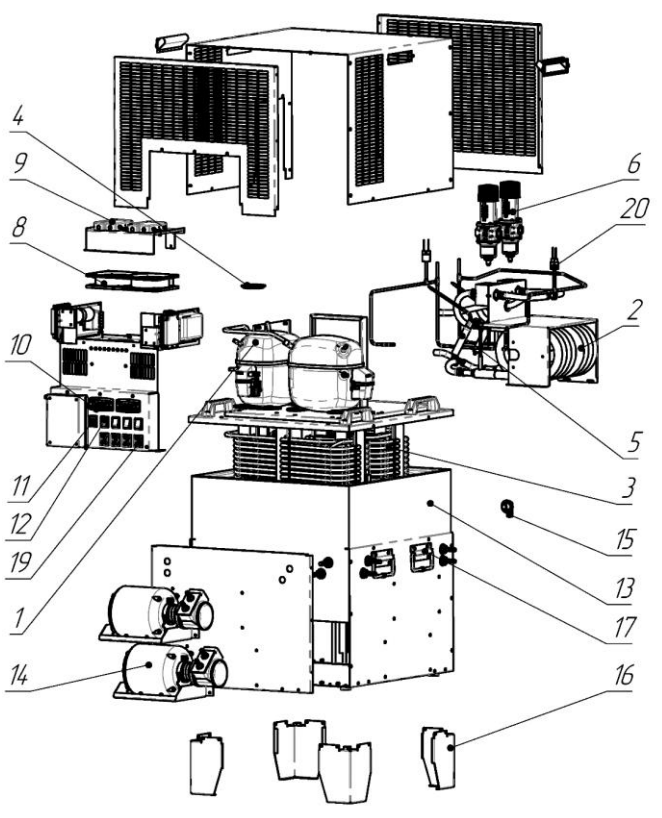
SPECIFICATIONS

INTERNAL NUMBER	029.00.000.00-XX
PART NUMBER	CP-13000WC-4
MAXIMUM DISTANCE, FT	up to 750
CAPACITY, BTU/H	13000
GLYCOL TANK CAPACITY, GAL	18
COMPRESSOR POWER, HP	1+1
RUNNING, AMP	With 1 pump - 12.2 A With 2 pumps - 15.0 A With 3 pumps - 17.7 A With 4 pumps - 20.6 A
PLUG TYPE (NEMA #)	Hard Wire
VOLTAGE, V	208/230
FREQUENCY, HZ	60
PUMP TYPE	Vane with 1/3 hp motor
PUMP, GPH	80
NUMBER OF PRE-INSTALLED PUMPS	4
NUMBER OF ADDITIONAL PUMPS	0
REFRIGERANT	R290
REFRIGERANT CHARGE, G (OZ)	150+150 (5.29+5.29)
WEIGHT GROSS/NET, LBS	286 / 264
POWER CORD LENGTH, FT	6
INLET/OUTLET BARB, IN	3/8
WATER INLET/OUTLET, IN	3/8-18 NPT
INLET WATER PRESSURE	Min 40 psi Max 150 psi
MINIMUM WATER PIPE SIZE, IN	3/8
FLOW RATE MINIMUM	2.0 gpm
OPERATING AMBIENT TEMPERATURE, °F	60-90
CLEARANCE AT LEAST	12" around the entire unit
GLYCOL MIXTURE, VOL%	40% glycol and 60% water



WIRING DIAGRAM

PARTS



1	Compressor "SECOP" SCE18MNX 208-230 V/60Hz
2	Coils Coaxial Heat Exchanger "HZSS" SS-0050GT-U
3	Evaporator №1 or Evaporator №2
4	Cap
5	Filter-drier "DE-NA" GR-15 d6.1xd6.1xd2.5
6	Water regulating valve "Danfoss" WVFX102
7	Capillary tube 2.4x0.575x500 mm, 2pcs.
8	Fan "Sunon" DP200A2123XBT(230V-50/60Hz)
9	Junction box "ITW ELETTRIGIBI" PA104
10	Thermostat "ELIWELL" EWPlus 961 (208-230 V/ 60Hz) EW17Y10XB4B01
11	Power switch "ARCOLECTRIC" C6053ALBR (Red)
12	Power switch "ARCOLECTRIC" C6053ALBG (Green)
13	Glycol bath
14	Glycol pump «FLUID-O-TECH» PA 2501 («PROCON» 102A080F11BA), cover to the pump « FLUID-O-TECH », set union joint « FLUID-O- TECH » 48 YZ and motor "UBC" YU250-4G01 (208-230V/60Hz)
15	Overflow
16	Foot
17	Handle
19	Connector R302SN 250V 10A
20	Pressure switch "Danfoss" ACB-2UB508W 26bar/20bar