

Fitted to python systems
SPC pumps provide the
optimum cooling rate for
soft drinks, beers & wines

Braided hose or brewery
tubing available to order

Principal applications

Designed for continuous operation in chillers, coolers,
vending and general water applications

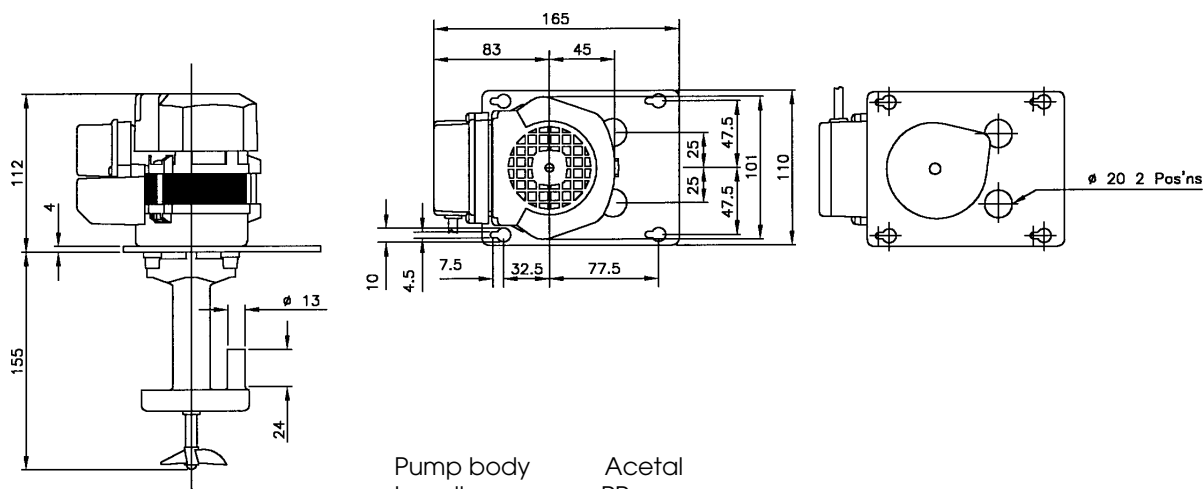
Features

- Capacity up to 17 litres/minute
- Up to 4 metres head
- Low maintenance & long life
- Available with plugs & leads fitted to suit application
- Agitator propeller fitted as standard
- Top mounted with keyhole pp mounting plate
- IP44 motor housing
- IP54 motor housing option
- 110V or 230V 50Hz



Drawings not to scale
Dimensions in millimetres

SPC17/4



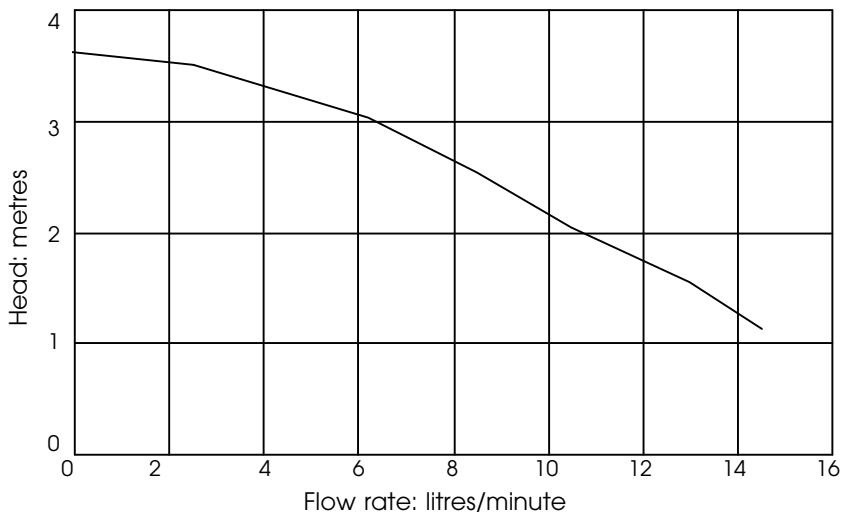
Pump body Acetal
Impeller PP
Mounting plate PP
Column Acetal
Motor shaft Stainless steel

Specification

Model	Motor height	Overall length	Weight kilos	Max capacity litres/min	Max head metres	Outlet port Ømm	Temp range °c	*Max specific gravity	Motor output Watts
SPC 17/4	112	267	1.0	16.5	3.7	plain 13	-20° to +85°	1.0	25

*assuming maximum viscosity of 30cp. Refer to the Company for higher viscosities & specific gravities

Performance Tested with clean cold water @ 20° c



NOTE: These pumps are designed for use with clean fluids. Solids will cause jamming. Abrasives will reduce pump life & invalidate the warranty.
SPC pumps are self priming & can run dry
The company reserves the right to change specifications

a division of **the** Electric Motor Company Limited

phone+44 (0)23 8066 6685
fax+44 (0)23 8066 6880
email: info@totton-pumps.com
www.totton-pumps.co.uk