

# KEGENERATOR

## KegMaster Craft

### Specifications



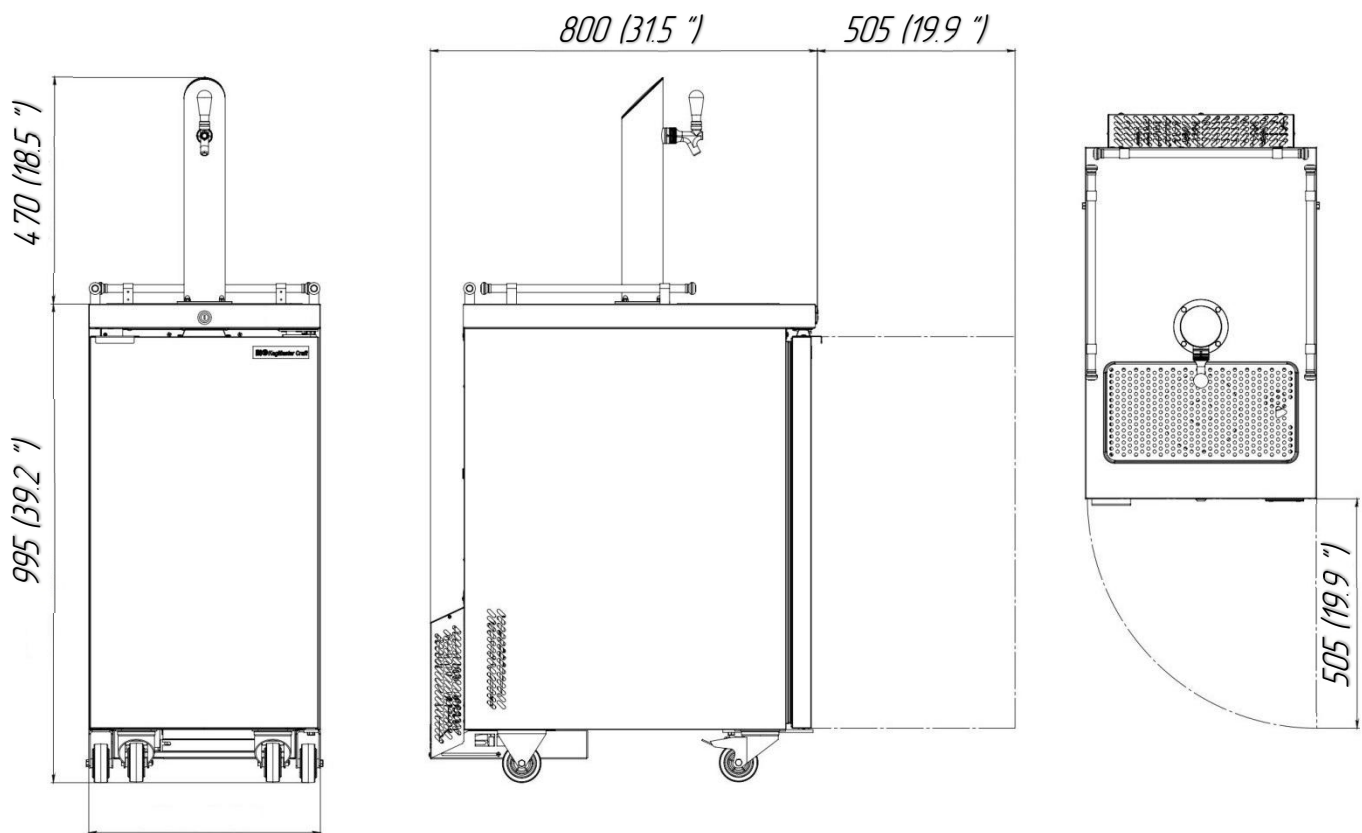
Internal Number	502.00.000.00-XX
Part Number	KMC-1/6NT
Electrical network, V/Hz	115/60
Dedicated Circuit, A	15
Plug type (NEMA #)	5-15P (⚡)
Compressor Power, HP	1/7
Power consumption, W	212
Operating amperage, A	2.7
Internal volume, l	185
Net volume, l	165
Refrigerant	R290
The temperature in the inner volume, °F	28 - 37
Width, in	20.1
Depth, in	31.5
Height, in	39.2
Height of the column, in	56.7
Net Weight, lb	127.9
Power cord length, ft	7
Operating ambient temperature, °F	50 - 90
Clearance	Ask your dealer
Refrigerant (R290) charge, lb	0.14
Maximum capacity keg container (30L slim/20L slim), pcs	2/2
Slew rate the product (up to 35.6 °F) at T= 89.6 °F	18h.



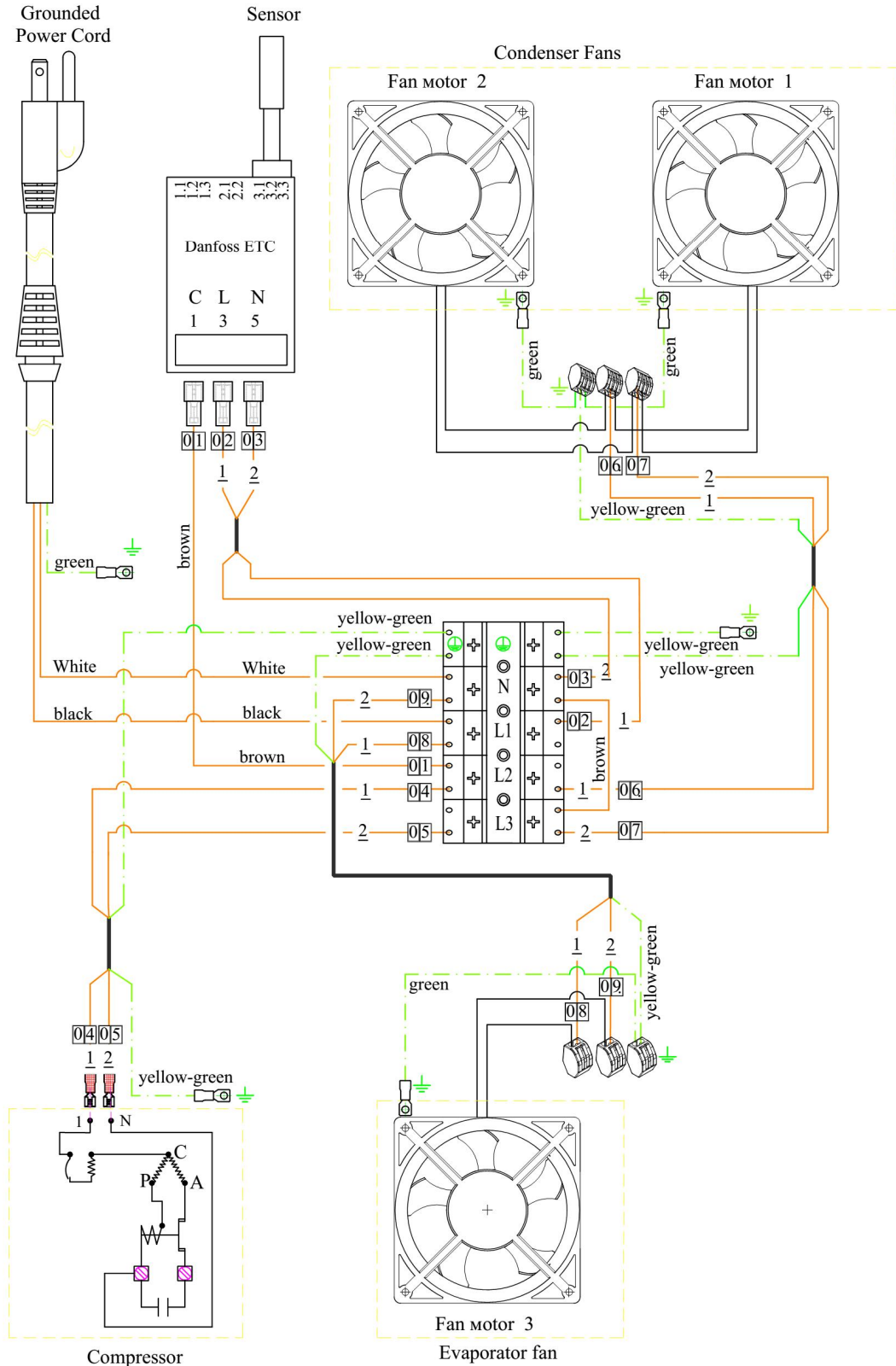
# KEGENERATOR

## KegMaster Craft

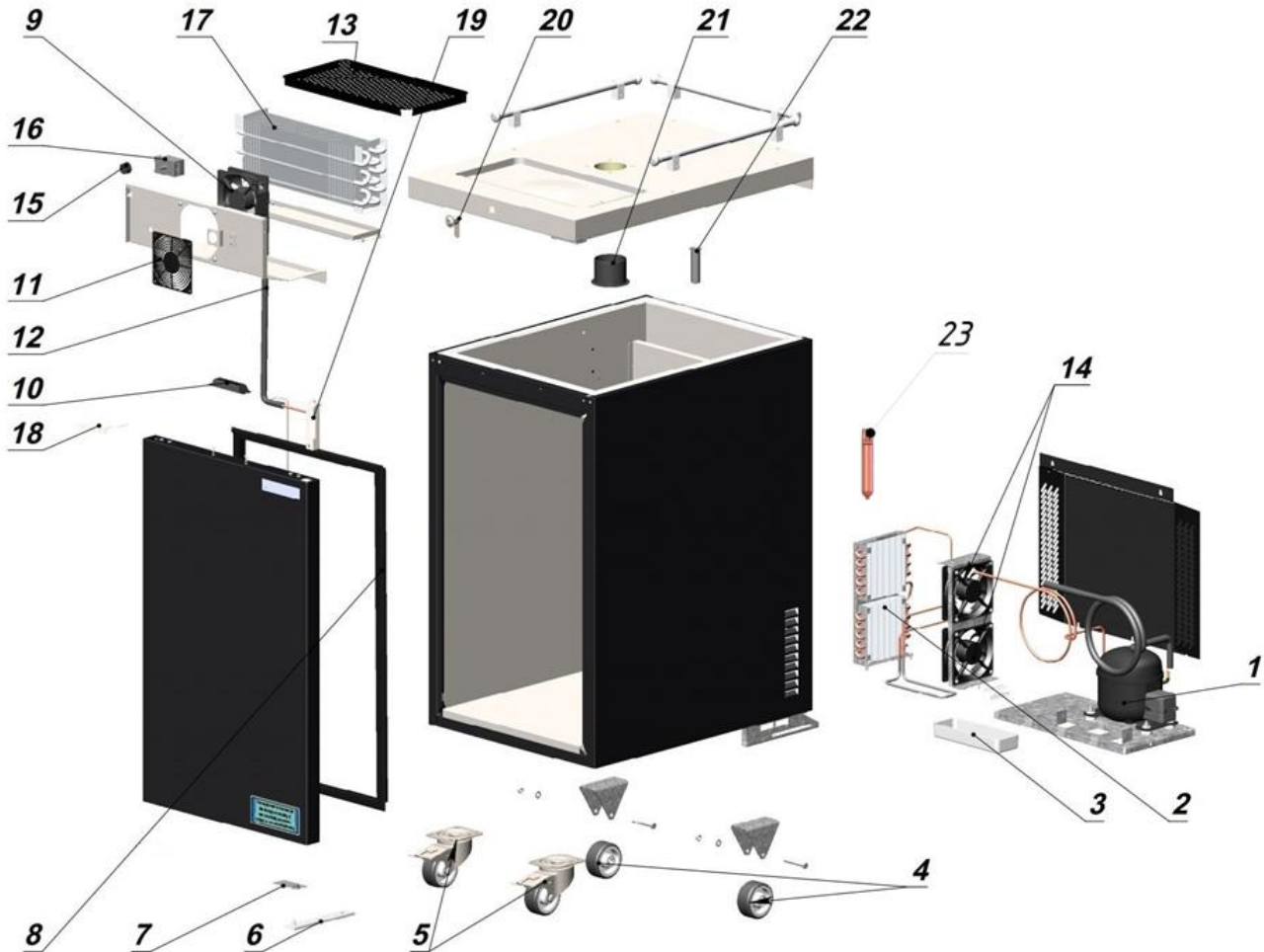
### Overall dimensions



### Wiring diagram



### Parts



1	Compressor - Cubigel NBC30NR	12	Insulating tube
2	AIR Condenser - B-27457	13	Drop-collecting mesh cod. P-410.01.00.002
3	Drip tray - cod. 500.06.000.10	14	Condenser Fans - "Sunon" SP100A1123XBT
4	Wheels - type PA-PU 80-32-37-300	15	Knob thermostat - mod. "Danfoss"
5	Wheels - type PA-PU-Sz-R-80x60-300	16	Thermostat - Danfoss EETc 11
6	Bracket door - type S1401	17	Evaporator - B-13148
7	Nylon bushing - cod. 500.03.110.02	18	Door handle - cod. 510.03.000.01
8	Magnetic gasket - cod. 500.50.210.01	19	Hing - AIFO ZW-TRS-1A
9	Evaporator Fan - "Sunon" CF4113MBT-000U-AB9	20	Lock - Mechanical lock kit
10	Bracket door	21	Bushing - cod. 500.02.000.01
11	Grid - type PB-12 "Sunon"	22	Drain tube - type 20x75 cod.0001
23	Filter-drier "DE-NA" GR-15 d6.1xd6.1xd2.5		