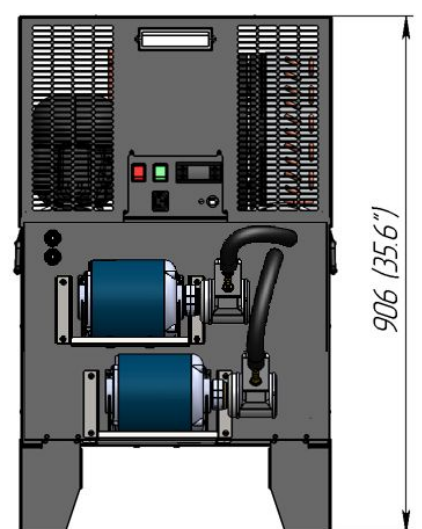
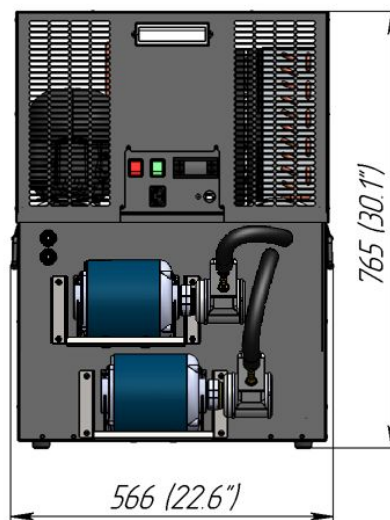
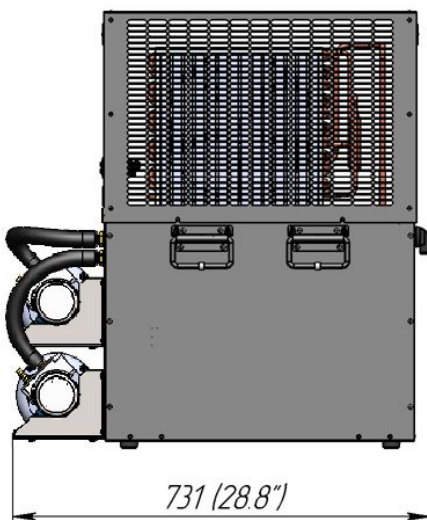



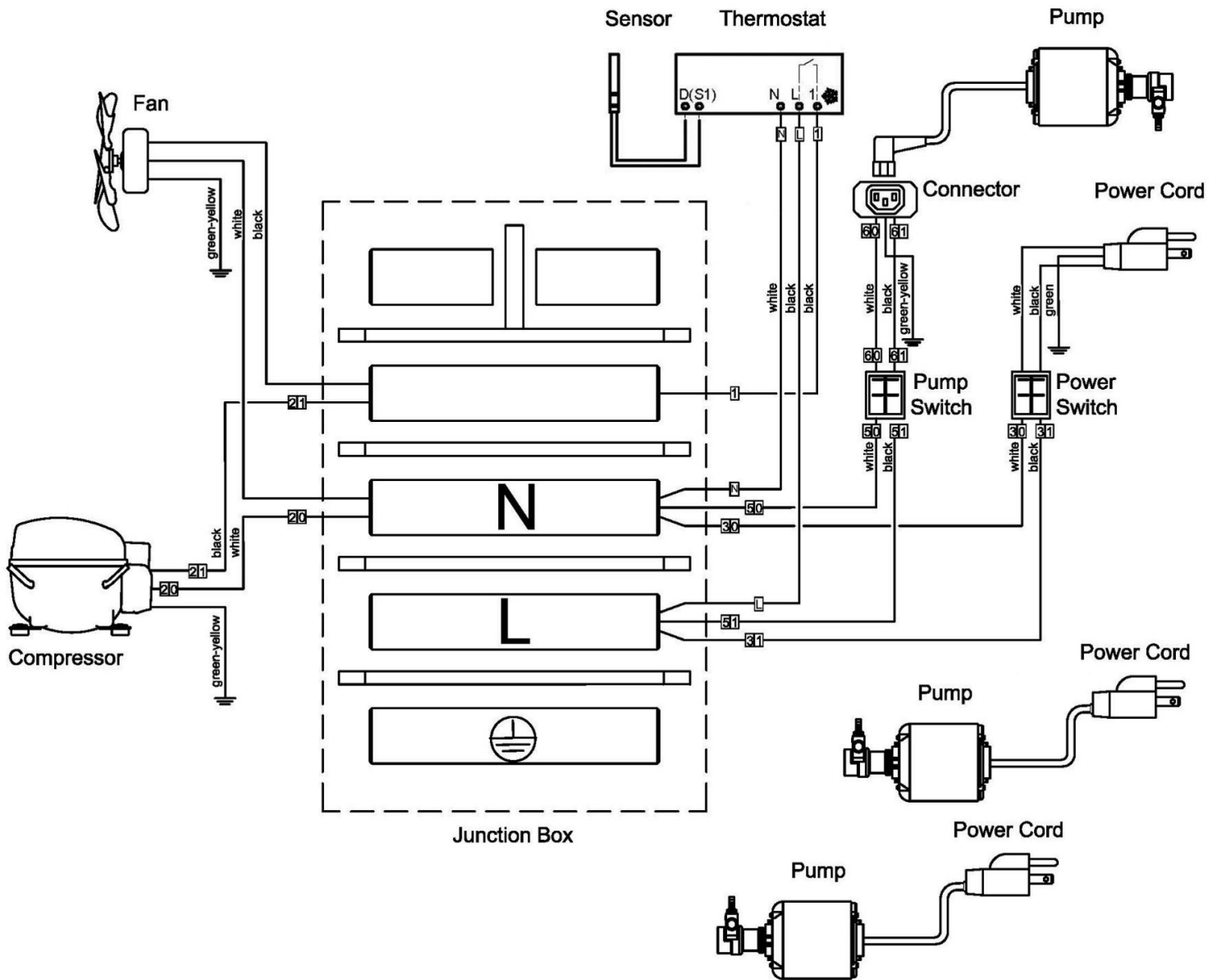


DIMENSIONS



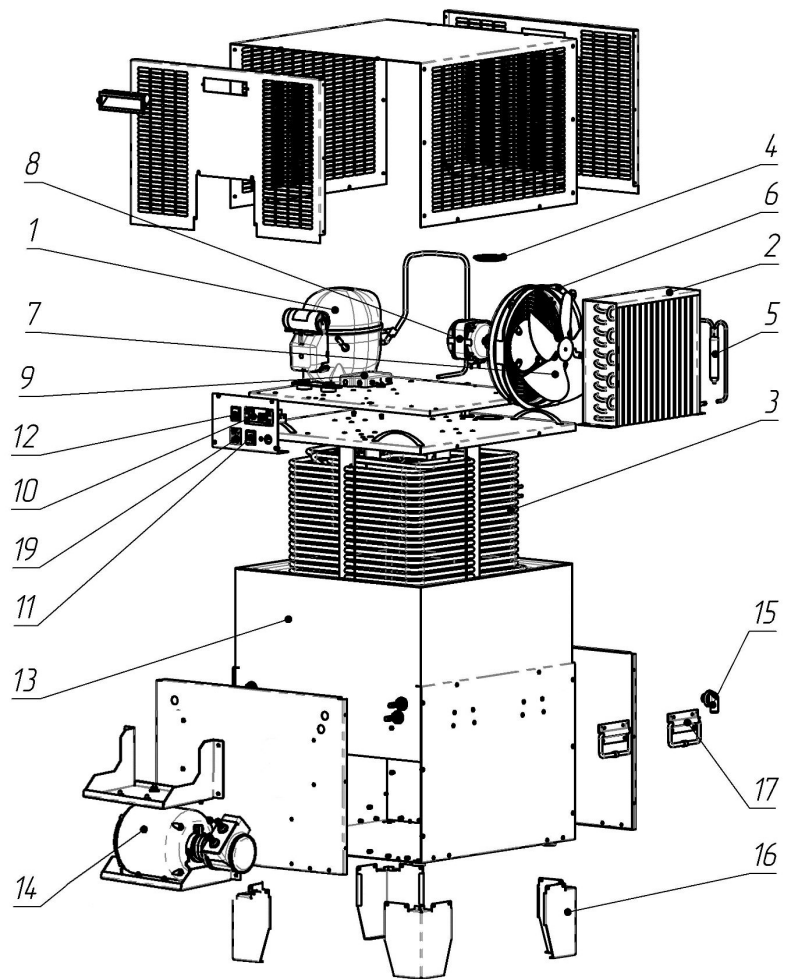
SPECIFICATIONS

| | |
|-----------------------------------|--|
| INTERNAL NUMBER | 150.00.000.00-XX |
| PART NUMBER | CP5500-2 |
| MAXIMUM DISTANCE, FT | up to 450 |
| CAPACITY, BTU/H | 5500 |
| GLYCOL TANK CAPACITY, GAL | 18 |
| COMPRESSOR POWER, HP | 3/4 |
| RUNNING, AMP | 1 pump - 15.6 A 2nd & 3rd pumps connected to external outlets |
| PLUG TYPE (NEMA #) | 5-20P  |
| VOLTAGE, V | 115 |
| FREQUENCY, HZ | 60 |
| PUMP TYPE | Vane with 1/3 hp motor |
| PUMP, GPH | 80 |
| NUMBER OF PRE-INSTALLED PUMPS | 2 |
| NUMBER OF ADDITIONAL PUMPS | 1 |
| REFRIGERANT | R290 |
| REFRIGERANT CHARGE, G (OZ) | 150 (5.29) |
| WEIGHT GROSS/NET, LB | 176/ 170 |
| POWER CORD LENGTH, FT | 6 |
| INLET/OUTLET BARB, IN | 3/8 |
| OPERATING AMBIENT TEMPERATURE, °F | 60-90 |
| CLEARANCE AT LEAST | 12" around the entire unit |
| GLYCOL MIXTURE, VOL% | 40 % glycol and 60% water |



WIRING DIAGRAM

PARTS



| | |
|----|---|
| 1 | Compressor "EMBRACO" NEU 6214U 115 V/60Hz or "SECOP" NLE11MN 115 V/60Hz |
| 2 | Air condenser "KARYER" B-26460 or "JINAN RETEK" B-29460 |
| 3 | Evaporator |
| 4 | Cap |
| 5 | Filter-drier "DE-NA" GR-15 d6.1xd6.1xd2.5 |
| 6 | Plastic grid "KARYER" |
| 7 | Impeller $\varnothing 254$ mm., $\alpha=280$ |
| 8 | Electric motor "ELCO" NU 16-30-2/096 (115V/50- 60Hz) UL "WGMotors" YZF 18-25 (18W)(110- 120V/60Hz) or "SW" YZ16-25 (16W)(110- 120V/60Hz) |
| 9 | Junction box "ITW ELETTRIGIBI" PA104 |
| 10 | Thermostat "ELIWELL" EWPlus 961 EW17YI0XB4A02 (115 V/ 60Hz) or "DANFOSS" ERC 111A (115 V/ 60Hz) |
| 11 | Power switch "ARCOLECTRIC" C6053ALBR (Red) |
| 12 | Power switch "ARCOLECTRIC" C6053ALBG (Green) |
| 13 | Glycol bath |
| 14 | Glycol pump «FLUID-O-TECH» PA 2501 («PROCON» 102A080F11BA), cover to the pump « FLUID-O-TECH », set union joint « FLUID-O-TECH » 48 YZ and motor "UBC" YU250-4G01 (115V/60Hz) |
| 15 | Overflow |
| 16 | Foot |
| 17 | Handle |
| 18 | Capillary tube 2.4x0.575x800 mm |
| 19 | Connector R302SN 250V 10A |