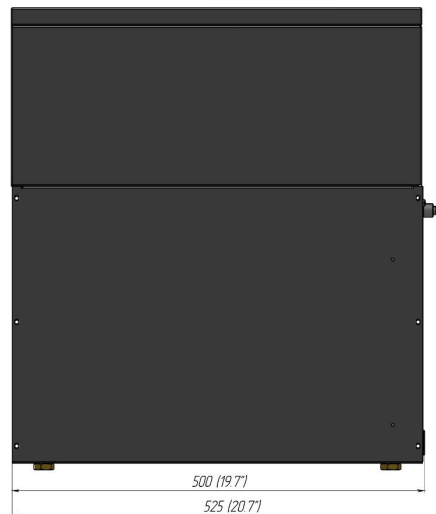
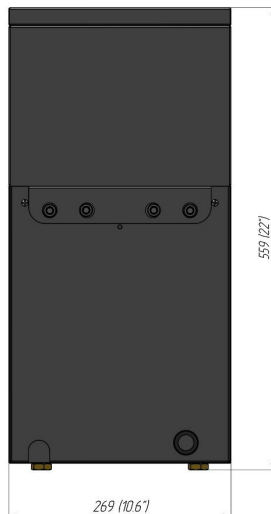


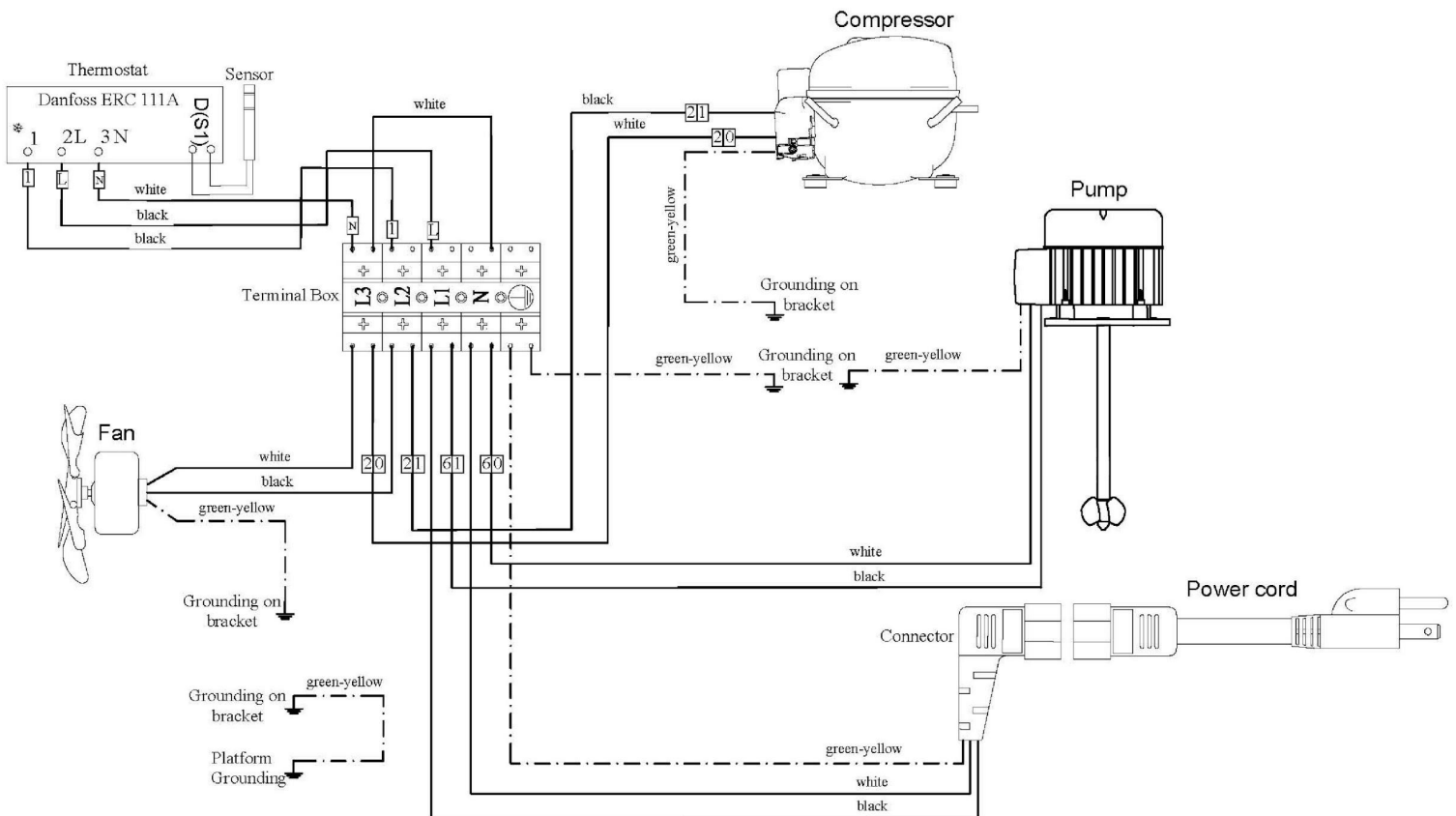


**DIMENSIONS**



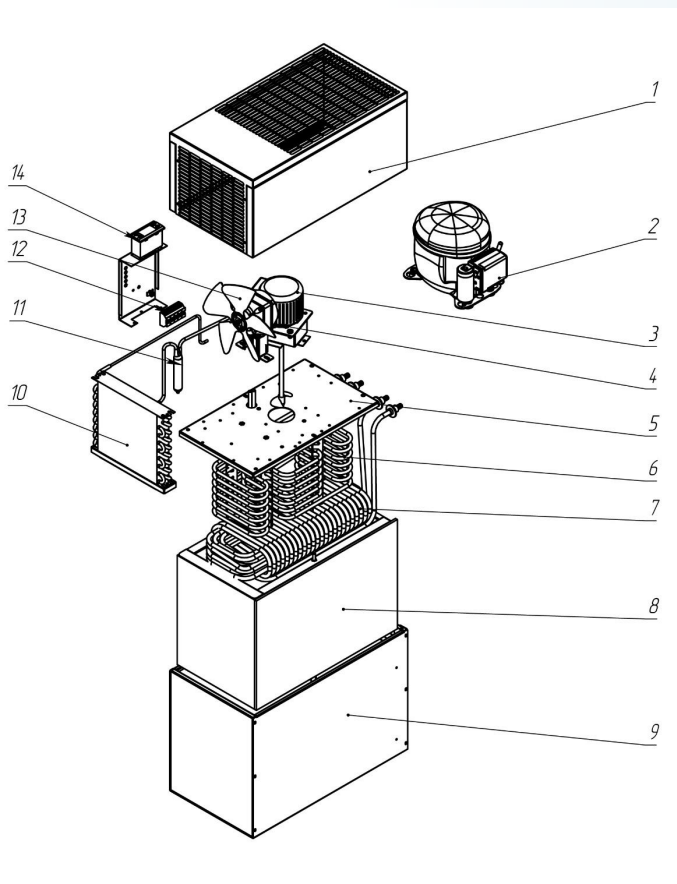
### SPECIFICATIONS

INTERNAL NUMBER	136.00.000.00-XX
PART NUMBER	V-30
Capacity, BTU/h, evap 20 °F	1900
Ice bank, BTU/h	2500
WATER TANK CAPACITY, GAL	4.5
COMPRESSOR POWER, HP	1/5
RUNNING, AMP	5.5 ☹️
PLUG TYPE (NEMA #)	5-15P
VOLTAGE, V	115
FREQUENCY, HZ	60
PUMP TYPE	Agitation
OUTLET TEMPERATURE, °F	32÷46
PRODUCT LINES (ST. STEEL AISI 304)	2
INLET/OUTLET BARB, IN	3/8
COIL'S LENGTH, FT	42/40
REFRIGERANT	R290
REFRIGERANT CHARGE, G (OZ)	65 (2.29)
WEIGHT GROSS/NET, LBS	81/85
POWER CORD LENGTH, FT	6
OPERATING AMBIENT TEMPERATURE, °F	60-90
CLEARANCE AT LEAST	12" around the entire unit



## WIRING DIAGRAM

### PARTS



1	Cover
2	Compressor "CUBIGEL" NLY60RRa (115-127V 60Hz)
3	Pump "Saber" SK-20 115V/60
4	Electric motor ELCO" NU 9-20-2/094 (115V/50- 60Hz) UL "WGmotors" YZF10-20-26 (10W)(110- 120V/60Hz) or "EBM" M4Q045-CA-27-04 (115V/60Hz)
5	Base
6	Evaporator
7	Product coils
8	Water bath
9	Housing
10	Air Condenser KARYER STFT 12118
11	Filter-drier "DE-NA" GR-15 d6.1xd6.1xd2.5
12	Junction box KL-5P
13	Impeller ø200 mm., $\alpha=28^\circ$
14	Thermostat "ELIWELL" EWPlus 961(115 V/ 60Hz) or "DANFOSS" ERC 111A (115V/ 60Hz)