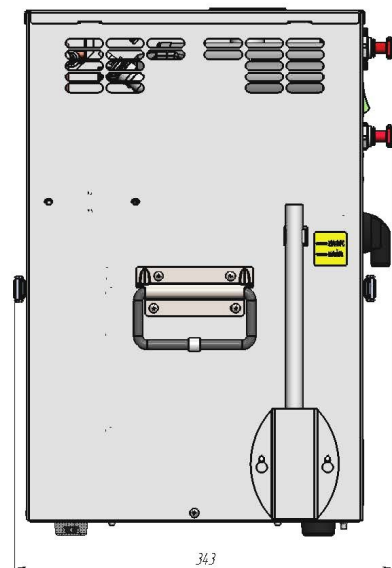
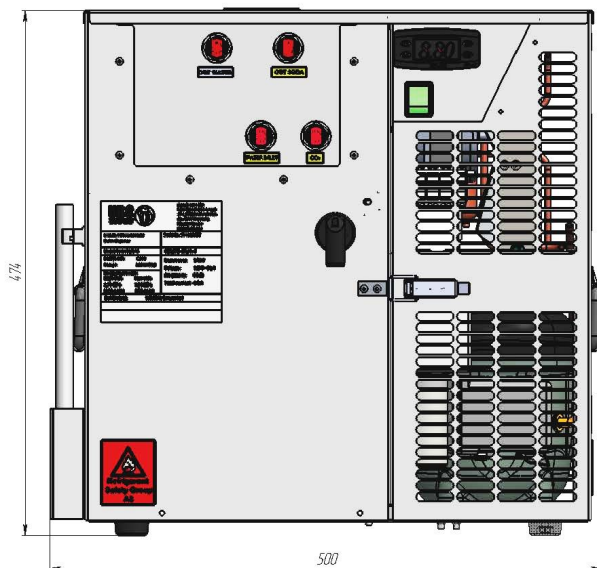



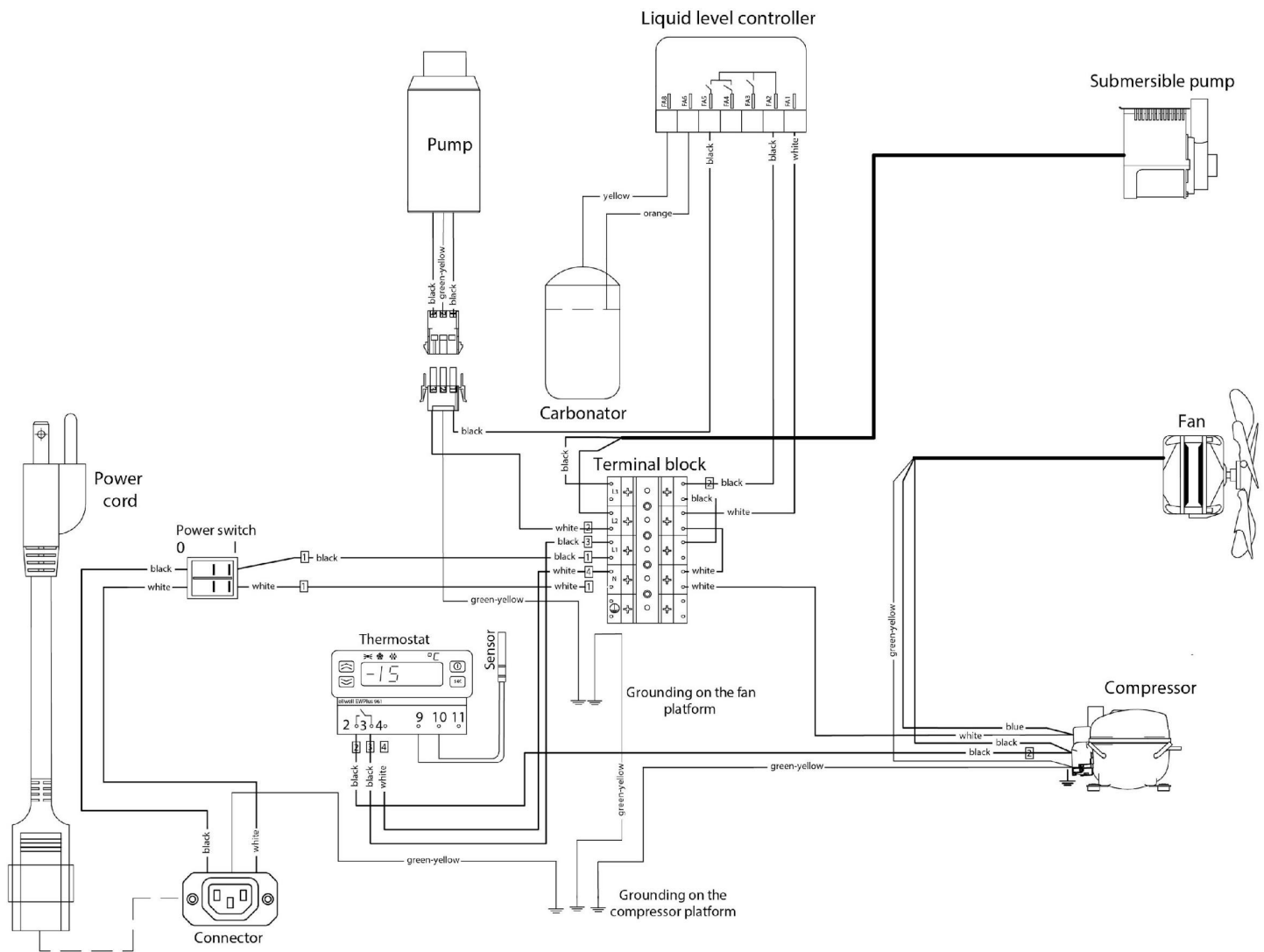


DIMENSIONS



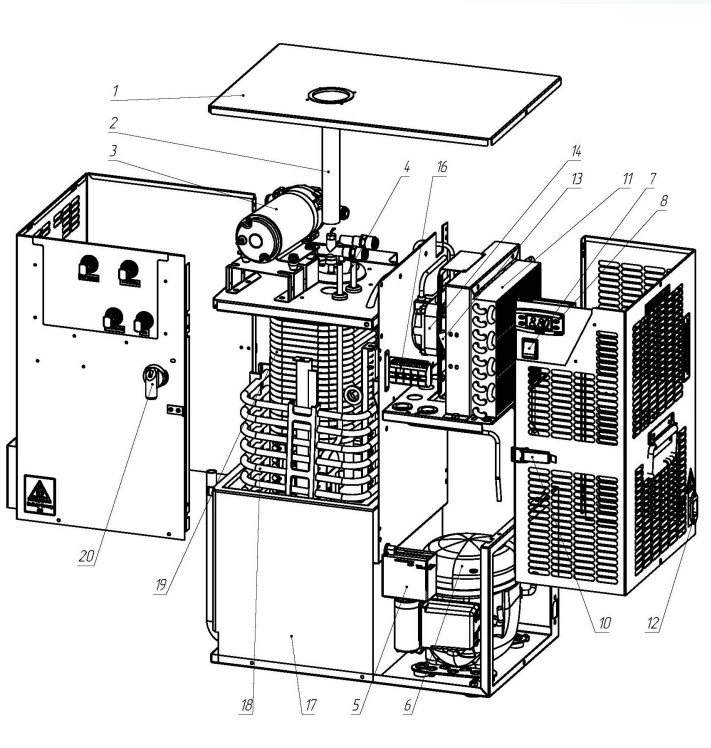
SPECIFICATIONS

INTERNAL NUMBER	220.00.000.00-XX
PART NUMBER	CCS-15
CAPACITY, GPH	10.5
WATER TANK VOLUME, GAL	2.8
OUTLET TEMPERATURE, °F	38..46
COMPRESSOR POWER, HP	1/5
RUNNING, AMP	6.1
PLUG TYPE (NEMA #)	5-15P 
VOLTAGE, V	115
FREQUENCY, HZ	60
CARBONATOR VOLUME (MAX/MIN)	0.32 gal/0.23 gal
CARBONATOR CAPACITY, GPH	10.5
INITIAL PULL DOWN TIME (T _{amb} =77°F), h	2.5
ICE BANK WEIGHT, lbs	11
NUMBER OF COILS	1
REFRIGERANT	R290
REFRIGERANT CHARGE, G (OZ)	65 (2.29)
WEIGHT GROSS/NET, LB	81 /80
POWER CORD LENGTH, FT	6
INLET/OUTLET	3/8" OD
OPERATING AMBIENT TEMPERATURE, °F	60-90
CLEARANCE AT LEAST	12" around the entire unit



WIRING DIAGRAM

PARTS



1	Cap
2	Water funnel
3	Carbonator pump "Aquatec" 5851-7E12-B574
4	Carbonator "O.D.L." G-411585/B
5	Level controller "GICAR" NRL30/2E/2R/F
6	Compressor "Cubigel" NLY45RRa (115-127V/60Hz)
7	Power switch "ARCOLECTRIC" C6053ALBG (Green)
8	Thermostat "ELIWELL" EWPlus 961 EW17Y10XB4A02 (115 V/ 60Hz) or "DANFOSS" ERC 111A (115V/ 60Hz)
9	Filter-drier "DE-NA" GR-15 d6.1xd6.1xd2.5
10	Safety latch
11	Air condenser "KARYER" STFT 12118
12	Connector IEC 320-C14 250V 10A
13	Impeller $\varnothing 200$ mm., $\alpha=28^\circ$
14	Electric motor ELCO" NU 9-20-2/094 (115V/50- 60Hz) UL "WGMotors" YZF10-20-26 (10W)(110- 120V/60Hz) or "SW" YZ10-20 (115V/60Hz)
15	Capillary tube 2.4x0.575x3600 mm
16	Push-in cage clamp 862-9X05
17	Water bath
18	Evaporator
19	Product cooling coil
20	Overflow
21	Submersible pump "BOYU" SP-1800