


Instructions for using the icepack set

draft2go[®]

Icepack set consists of:  1 ice pack

Application: The icepack set is used when there is no possibility of cooling the KEG down in a refrigerator for 24 hours prior to use and no other method is available for keeping the KEG cool for longer periods before use.

1

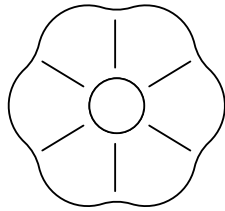
Ice pack must be cooled in a deep freeze (0.4°F) before use for at least 24 hours.



0.4°F

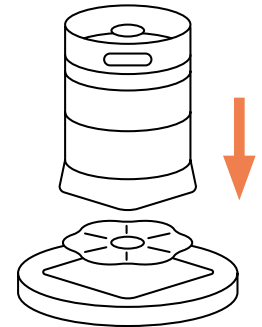


24 h



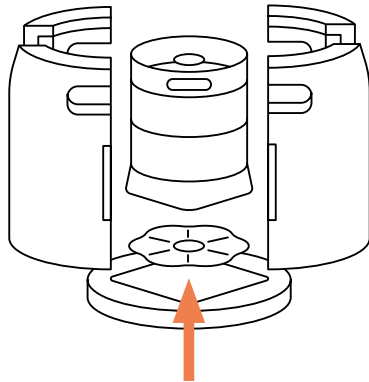
2

Place the ice pack underneath the KEG on the draft2go+ insulator base.



3

Enclose the chilled KEG in the draft2go+ insulator jacket to keep the beverage cold for long periods.



PLEASE NOTE:

Be sure to keep the operating instructions! Keep out of reach of children! Leaking gel can result in slippery floor surfaces. Defective ice sleeves and ice packs must be disposed of and not used again!

Cleaning: Clean dirty ice sleeves and ice packs with lukewarm water and detergent. Do not use abrasive cleaners!

Shelf life and storage: Under normal application, the product can be used for at least two years. We recommend storing the product in a freezer or keeping it dry a polybag. Avoid exposing the ice sleeves and ice packs to direct sunlight over longer periods.

Gel information: The content of the ice pack is not toxic. Should any gel come into contact with skin or eyes, simply rinse clean with plenty of water. and cool in the gel is not known to cause any irritation of the skin or eyes.

Disposal information: Dispose of the ice pack with your normal household waste and the operating instructions with your waste paper.



UBC Group USA
65 North Central Dr. O'Fallon, MO 63366
Phone: +1-636-379-2226 Toll free: +1-888-808-9286
Fax: +1-866-659-8904 E-mail: info@beer-co.us
www.beer-co.us

