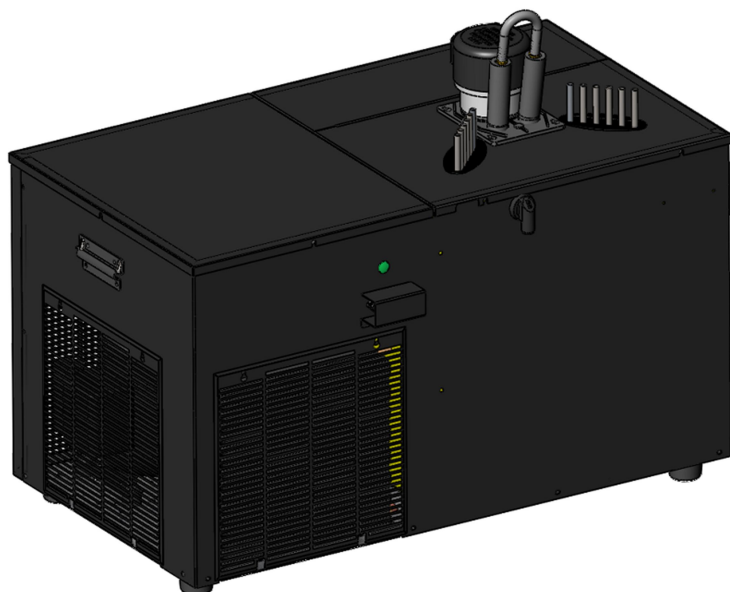



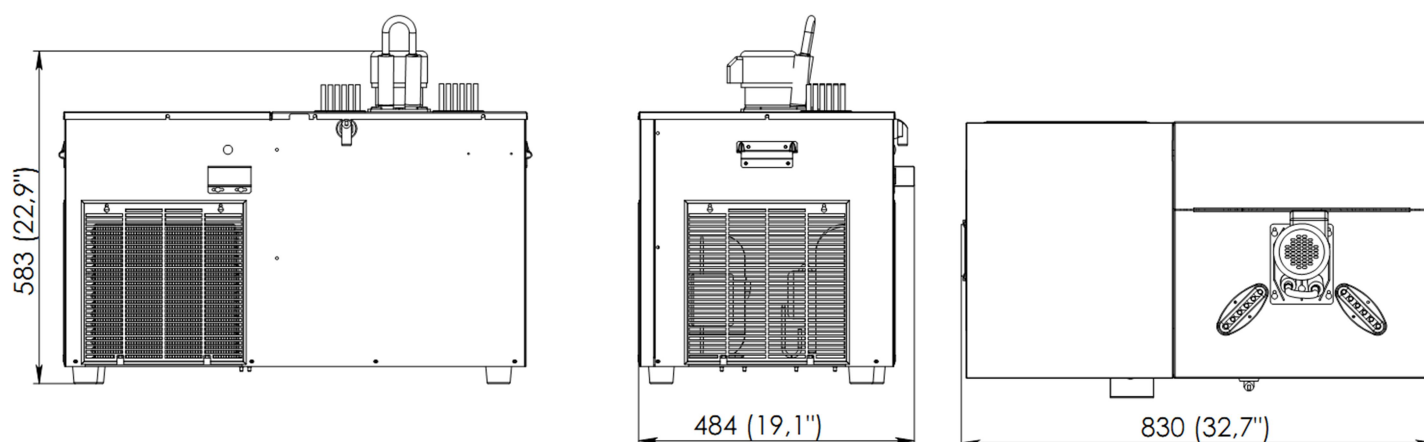
Beer-cooler Tayfun-160

Specifications



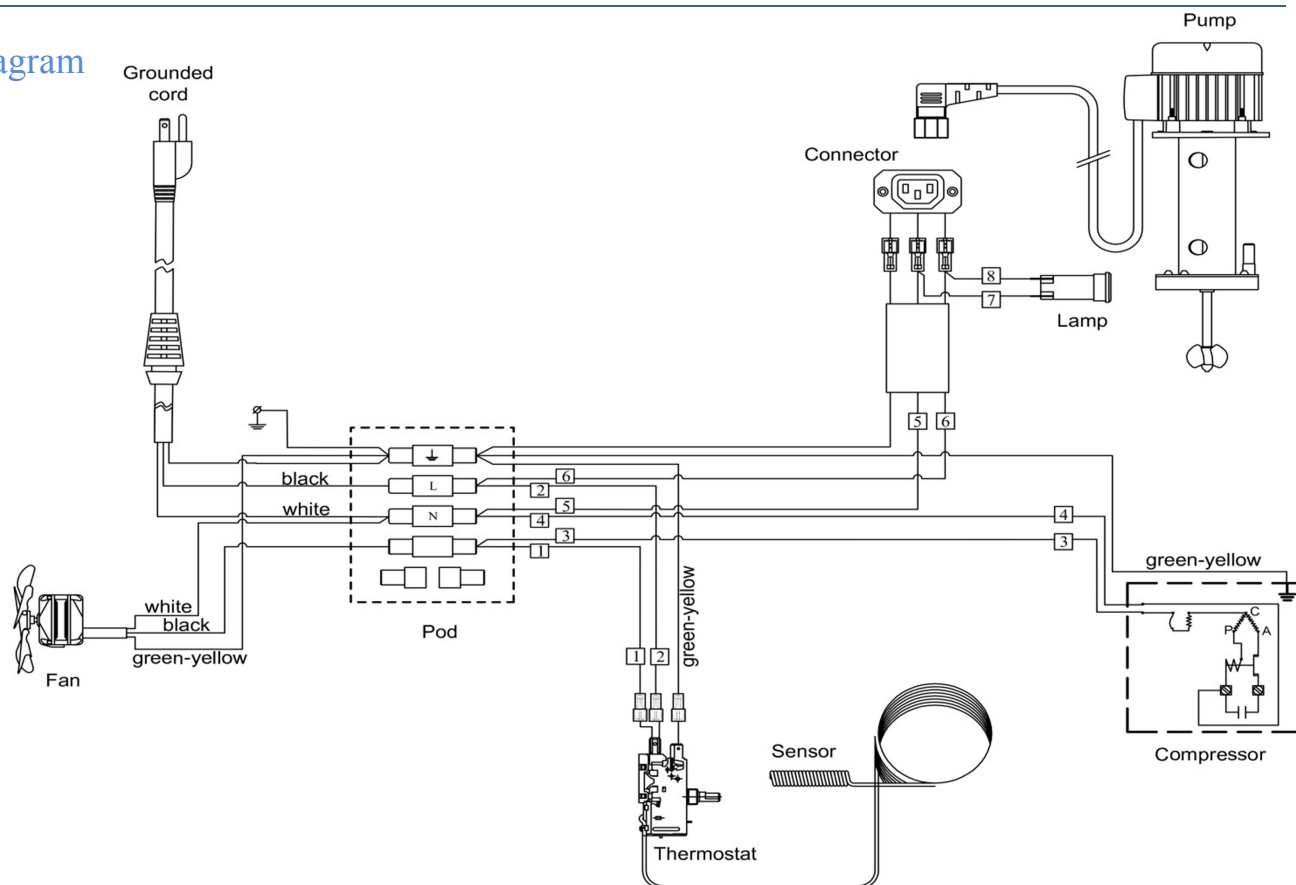
Internal Number	007.000.00.00-14
Part Number	T160F-1/2T6
Capacity, GPH ($\Delta T = 36^{\circ}F$)	39,1
Dedicated Circuit, amp	15 
Compressor Power, HP	3/8
Power consumption, Wt	470
Operating amperage, A	2,4
Water Tank volume, G	13,2
Water Pump capacity, GPH	260
Ice bank, lbs	52,9
Refrigerant	R134a
Ice forming time ($T_{amb}=75^{\circ}F$), h	6.5
Outlet temperature, $^{\circ}F$	38÷46
Number of coils	1÷6
Width, in	32,7
Depth, in	19,1
Height, in	22,9
Net Weight, lbs	123,5
Power cord length, ft	6,6
Operating ambient temperature, $^{\circ}F$	75÷100
Clearance	at least 12" around the entire unit
Refrigerant (R134a) charge, lb	0,66

Overall dimensions

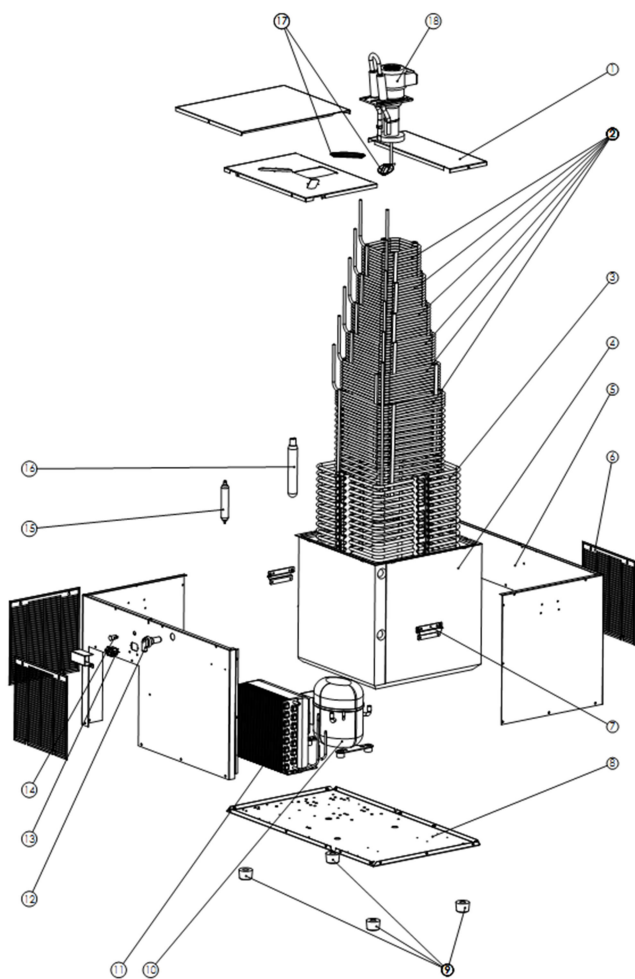


Beer-cooler Tayfun-160

Wiring diagram



Parts



1	Lids
2	Coils
3	Evaporator
4	Water tank
5	Case
6	Grid
7	Handle
8	Base
9	Rubber legs
10	Compressor "TECUMSEH" AE4450Y-AA1A (115V-60Hz)
11	Air condenser (with fan) «LU-VE» STVF 139
12	Overflow pipe
13	Connector R302SN (RS components 65002-AC-2), 250V, 10A
14	Lamp "Elektron components LTD" C058900
15	Filter dryer "BVB" GR-30
16	Receiver "BVB" 30x200
17	Cover
18	Water Pump "TOTTON" SPC-51L
ds*	Terminal block "ITW Elettrogibi" PA104
ds*	Thermostat "RANCO" K50H2005-003

*ds – don't shown