


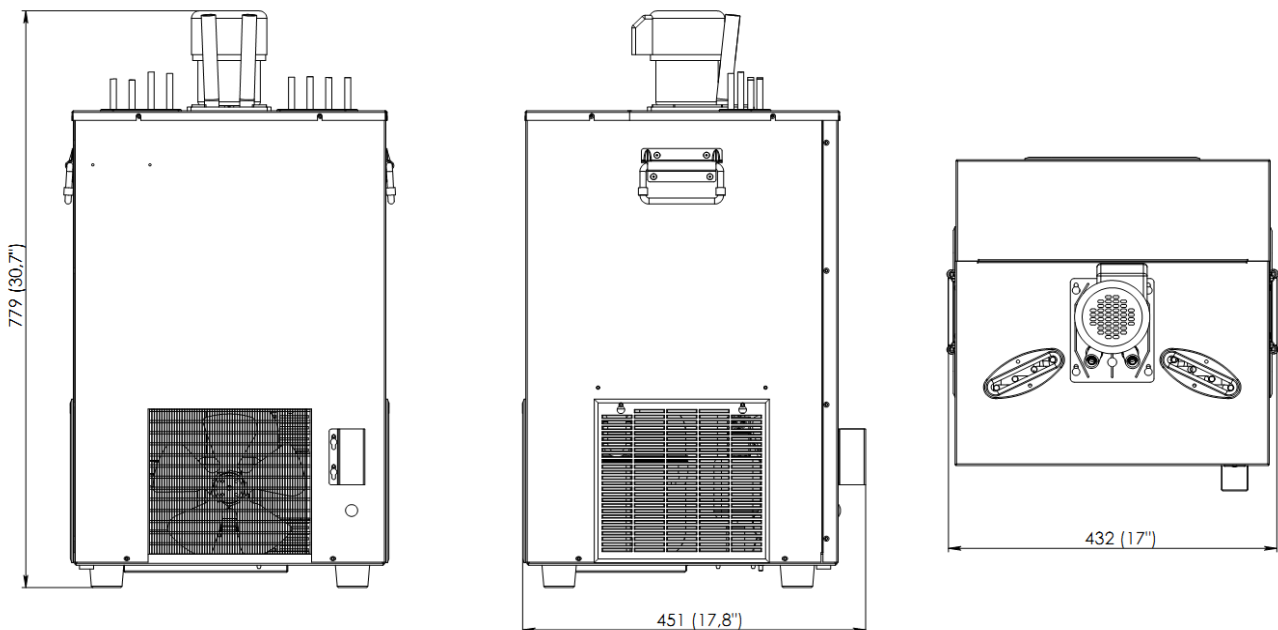
Beer-cooler Tayfun-120

Specifications



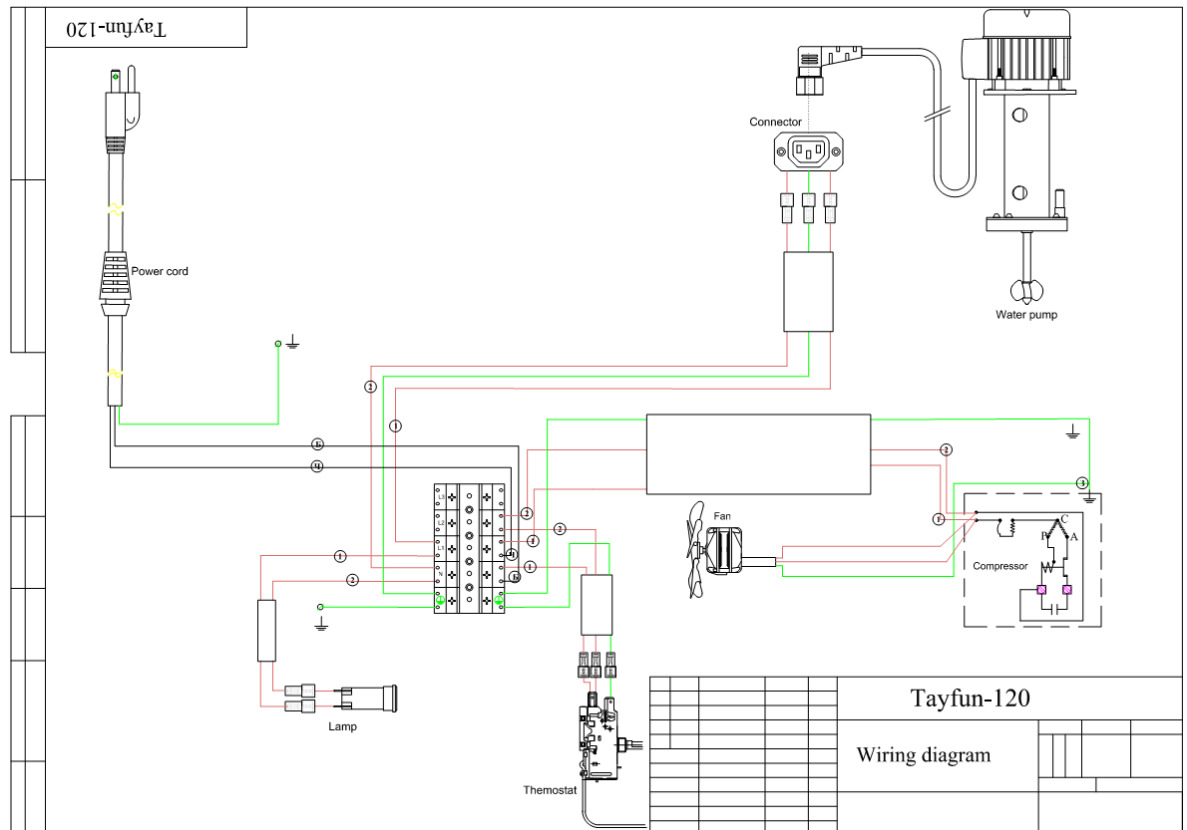
Part Number	010.000.00.00-52	
Capacity, GPH ($\Delta T = 36^{\circ}F$)	29,1	
Dedicated Circuit, amp	15 	
Compressor Power, HP	3/8	
Power consumption, Wt	405	
Operating amperage, A	1.8	
Water Tank volume, G	11,4	
Water Pump capacity, GPH	260	
Ice bank, lbs	39,7	
Refrigerant	R134a	
Ice forming time ($T_{amb}=75^{\circ}F$), h	4.5	
Outlet temperature, $^{\circ}F$	35 ÷ 40	
Number of coils	1-4	
Coils length	№1 - 14 941 MM №2 - 15 042 MM №3 - 14 912 MM №4 - 13 940 MM	
D of coils	7mm (ID) 8mm (OD)	
Width, in	17	
Depth, in	17,8	
Height, in	30,7	
Net Weight, lbs	94	
Power cord length, ft	6,6	
Operating ambient temperature, $^{\circ}F$	75 ÷ 100	
Clearance	at least 12" around the entire unit	
Refrigerant (R134a) charge, lb	0,63	

Overall dimensions

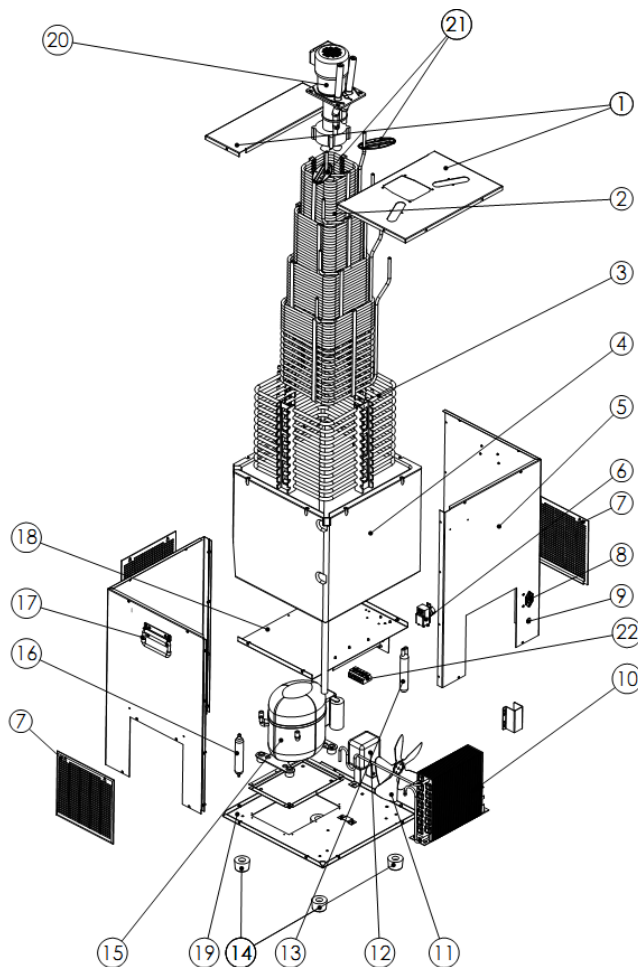


Beer-cooler Tayfun-120

Wiring diagram



Parts



1	Lids
2	Coils
3	Evaporator
4	Water tank
5	Case
6	Thermostat "RANCO" K50H2005-003
7	Plastic grid
8	Connector RS components 65002-AC-2
9	Lamp "Elektron components LTD" C058900
10	Air condenser «LU-VE» STFT 14221
11	Fan impeller
12	Fan "EBM" M4Q045-BD-03-04 (115V/50-60Hz)
13	Receiver "BVB" 24x150
14	Rubber legs
15	Compressor "TECUMSEH" CAE4448Y
16	Filter dryer "BVB" GR-30
17	Handle
18	Framing
19	Base
20	Water Pump "TOTTON" SPC 42
21	Cover
22	Terminal Pod KL-5P