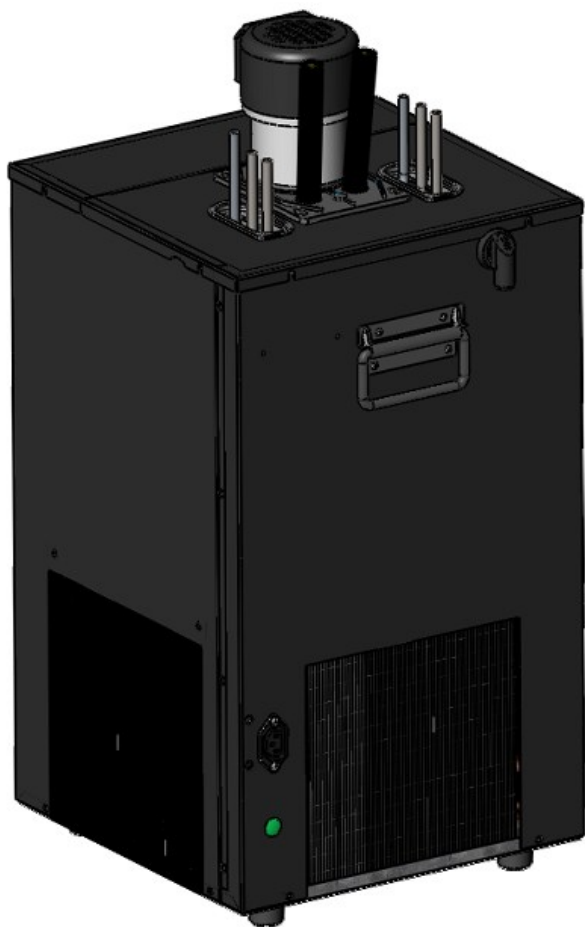



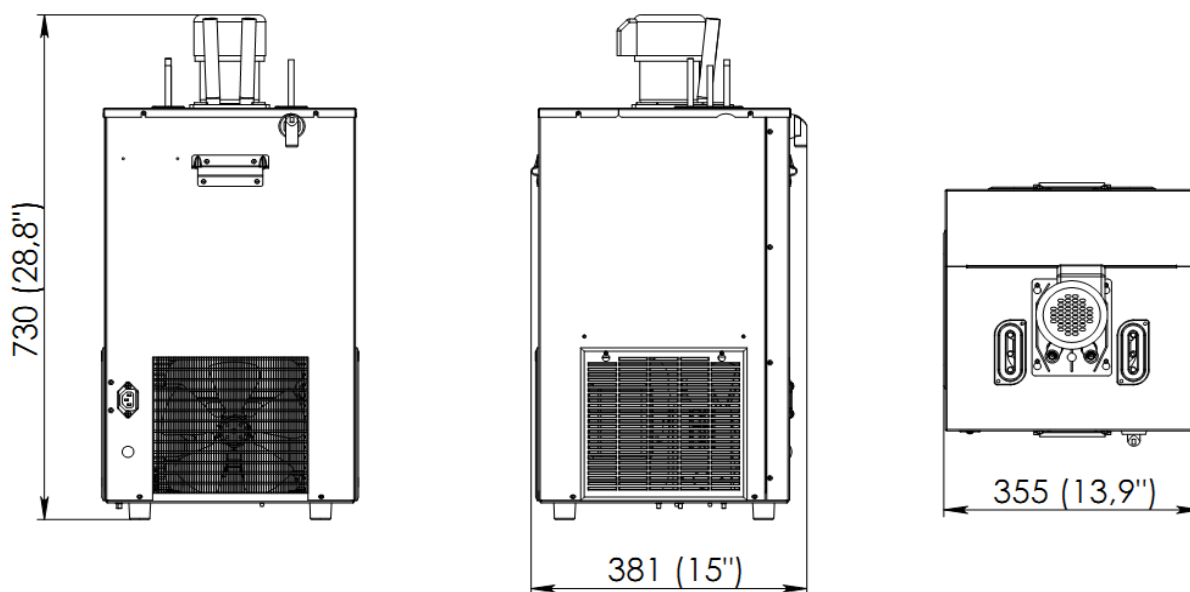
# Beer-cooler Tayfun-75

## Specifications



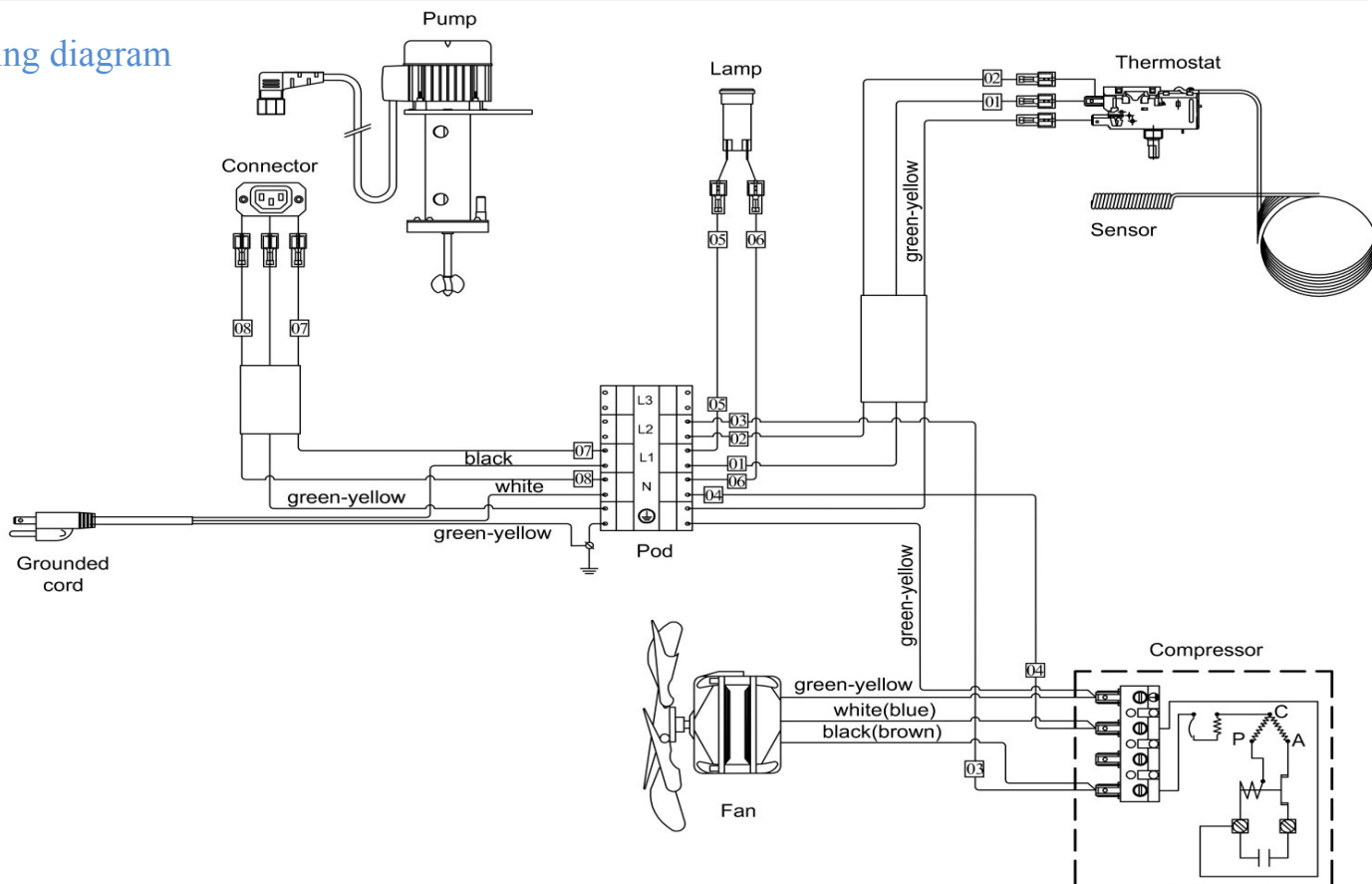
Internal Number	012.000.00.00-48
Part Number	T75F-1/4T3
Capacity, GPH ( $\Delta T = 36^{\circ}F$ )	18
Dedicated Circuit, amp	15 
Compressor Power, HP	1/4
Power consumption, Wt	310
Operating amperage, A	1,5
Water Tank volume, G	5,3
Water Pump capacity, GPH	260
Ice bank, lbs	21,0
Refrigerant	R134a
Ice forming time ( $T_{amb}=75^{\circ}F$ ), h	4.2
Outlet temperature, $^{\circ}F$	38÷46
Number of coils	1÷3
Width, in	13,9
Depth, in	15
Height, in	28,8
Net Weight, lbs	75,0
Power cord length, ft	6,6
Operating ambient temperature, $^{\circ}F$	75÷100
Clearance	at least 12" around the entire unit
Refrigerant (R134a) charge, lb	0,48

## Overall dimensions

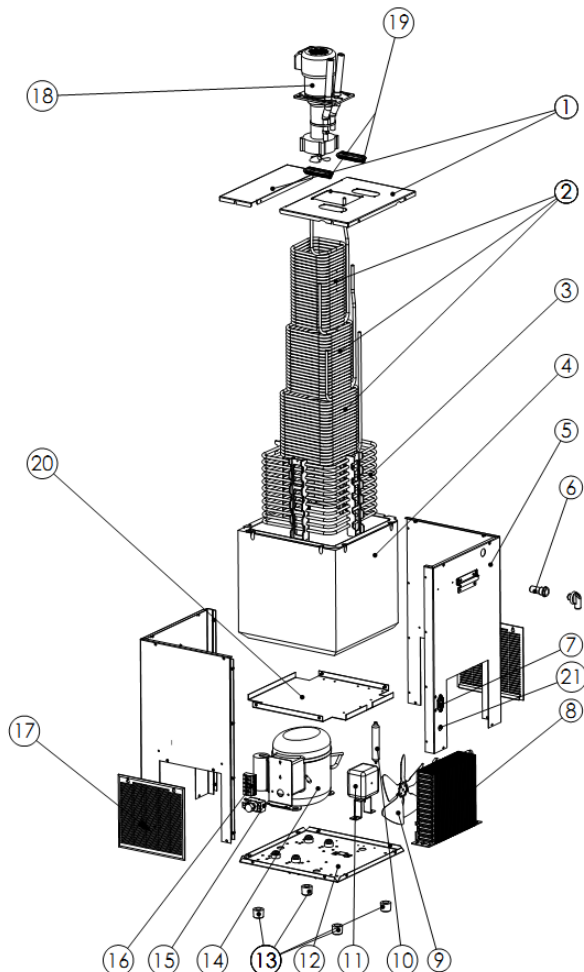


# Beer-cooler Tayfun-75

## Wiring diagram



## Parts



1	Lids
2	Coils
3	Evaporator
4	Water tank
5	Case
6	Overflow pipe
7	Connector R302SN (RS components 65002-AC-2), 250V, 10A
8	Air condenser «LU-VE» STFT 14221
9	Fan impeller
10	Filter dryer "BVB" GR-15
11	Fan "EBM" M4Q045-BD-03-04 (115V/50-60Hz)
12	Base
13	Rubber legs
14	Compressor "TECUMSEH" AEZ4430Y
15	Thermostat "RANCO" K50H2005-003
16	Terminal Pod KL-5P
17	Plastic grid
18	Water Pump "TOTTON" SPC-42 (90W)
19	Cover
20	Framing
21	Lamp "Elektron components LTD" C058900