

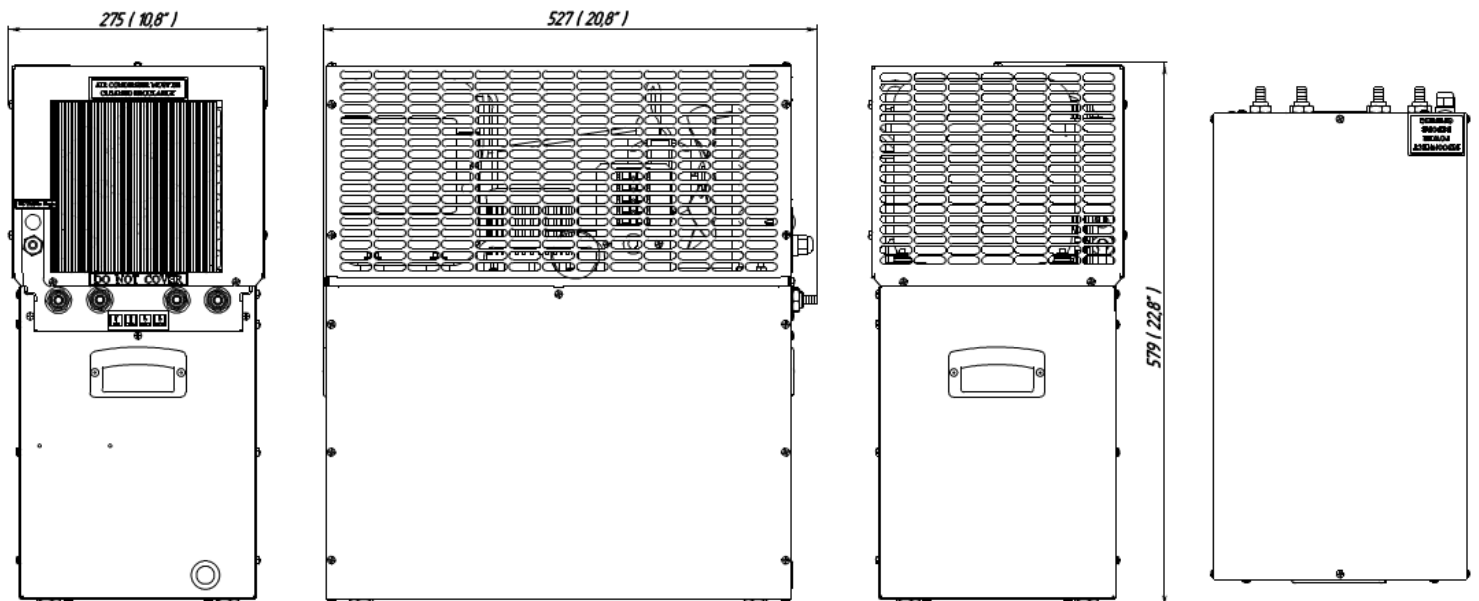
# Chiller V-30

## Specifications



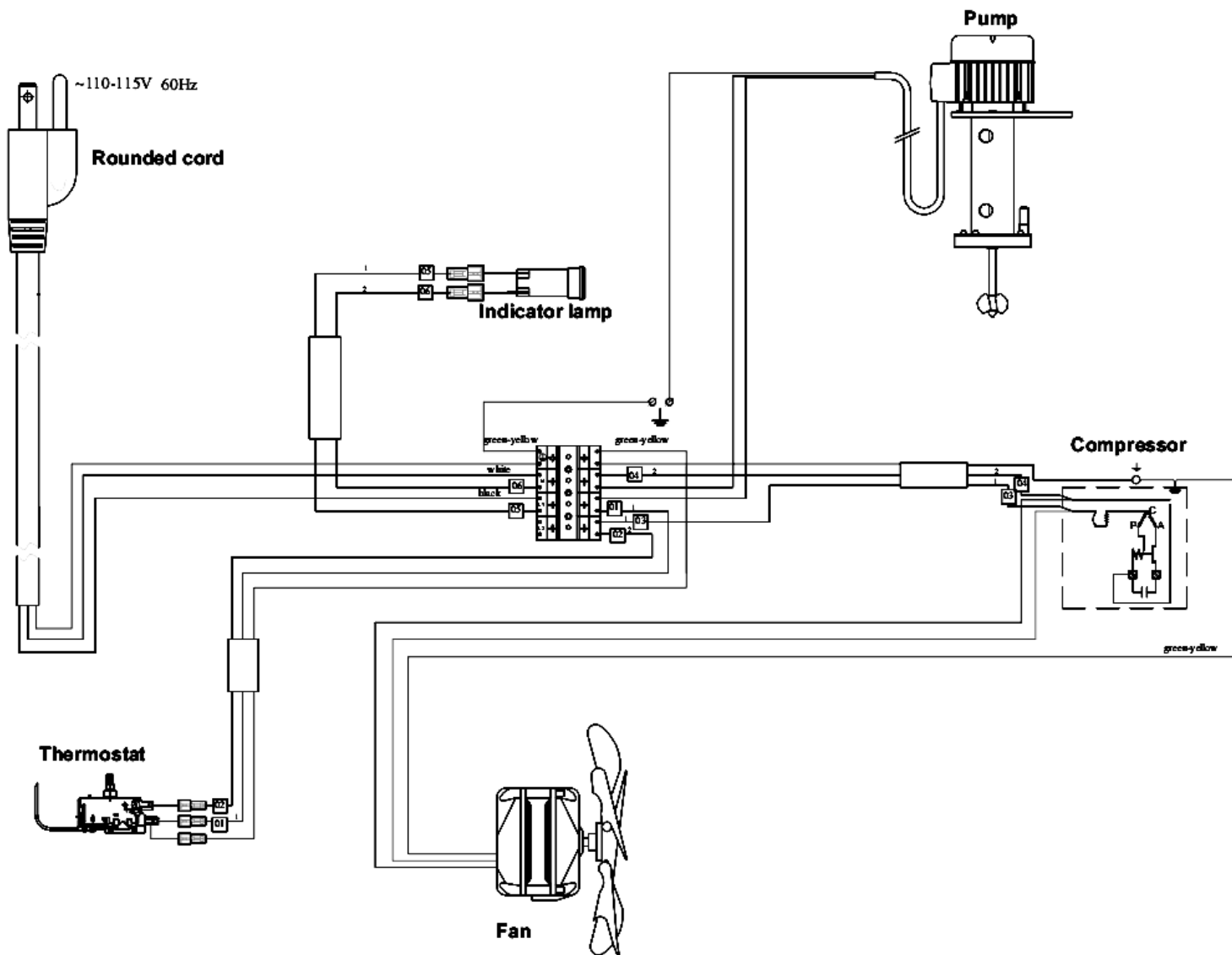
Internal Number	136.00.000.00-02
Part Number	V-30
Maximum Distance, ft	N/A
Capacity, BTU/H evap 20 F	2600
Tank capacity, gal	5.8
Dedicated Circuit, amp	15 (Ⓜ)
Compressor Power, hp	3/8
Pump Type	Gear with 1/3 hp motor
Pump Capacity, GPH	N/A
Optional Additional Pump	N/A
Refrigerant	134a
Width, in	27,4
Depth, in	18,6
Height, in	12,8
Weight Gross/Net, lb	115.7 / 101.2
Power cord length, ft	6
Inlet/Outlet Barb, in	3/8'
Operating ambient temperature, F	60-90
Clearance at least	12" around the entire unit
Glycol mixture, %	100% Water

## Overall dimensions



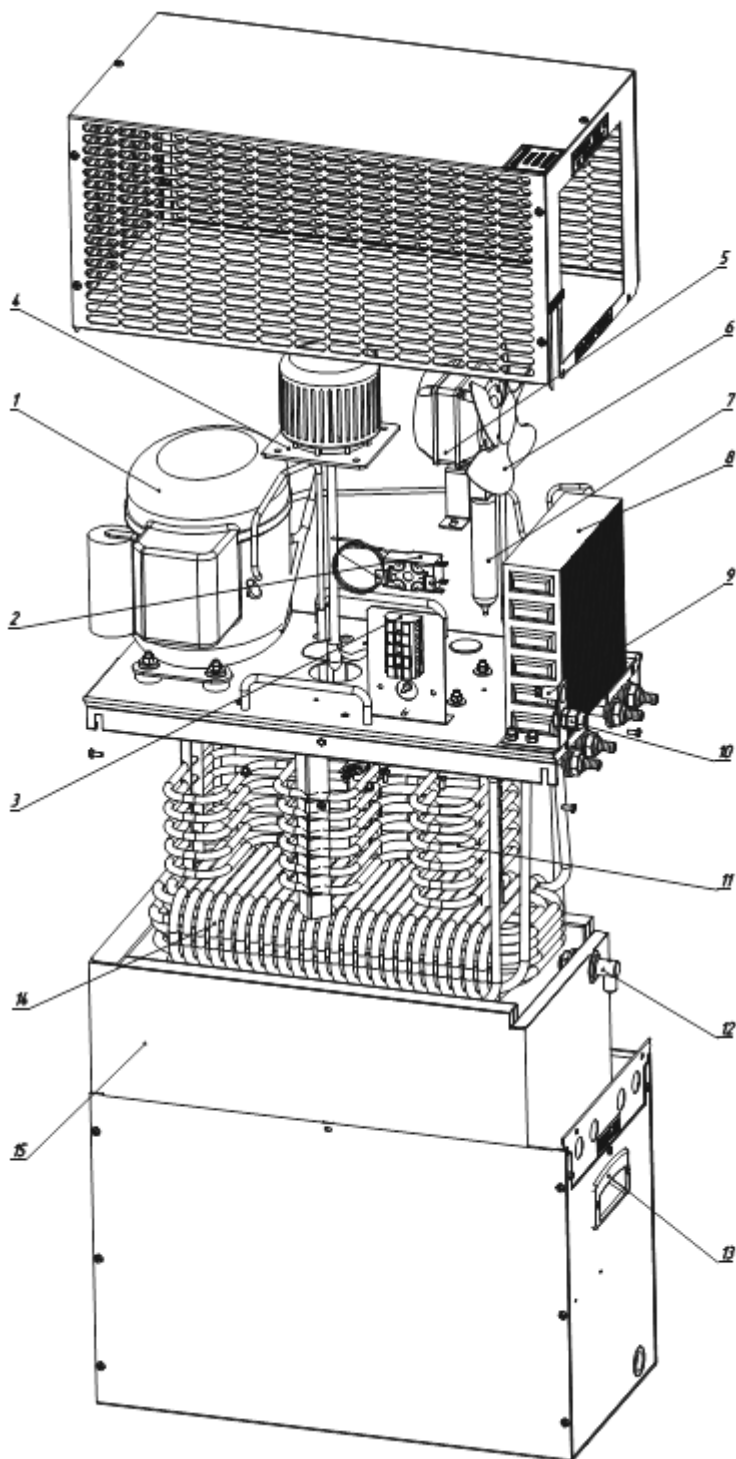
# Chiller V-30

## Wiring diagram



# Chiller V-30

## Parts



1	Compressor «Tecumseh» AEZ 4430 Y (115V, 60 Hz)
2	Thermostat "Ranco" K14
3	Terminal KL-5P
4	Mixer-agitator "Saber" SK-20 (115V, 60 Hz)
5	Electric motor "EBM" M4Q045-CA-27-04 or "ELCO" NU 9-20-2/094 (115V, 60 Hz) <i>UL</i>
6	Impeller Ø154, $\alpha = 28^\circ$
7	Drier -filter "BVB" GR-30
8	Air condenser LU-VE STFT 12218 or «Karyer» STFT 12218, <i>UL</i>
9	Indicator lamp
10	Communicating cable sleeve
11	Evaporator
12	Overflow
13	Handle
14	Heat exchanger
15	Bath