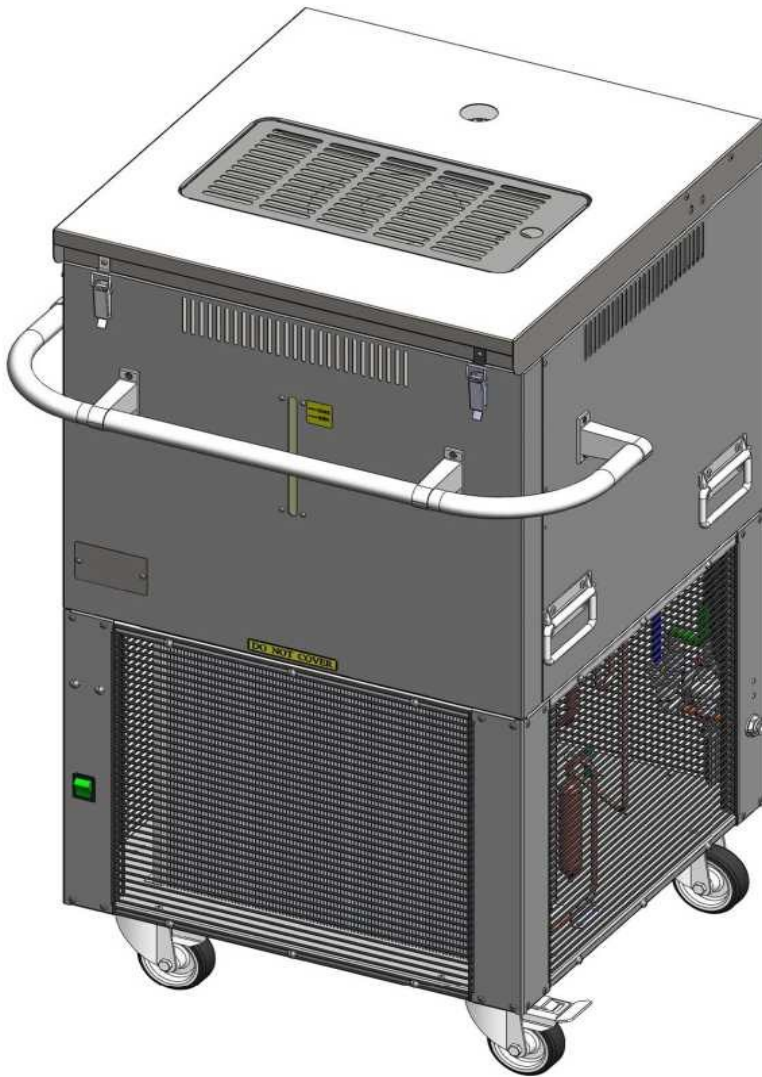


Beer Cooler V-200E

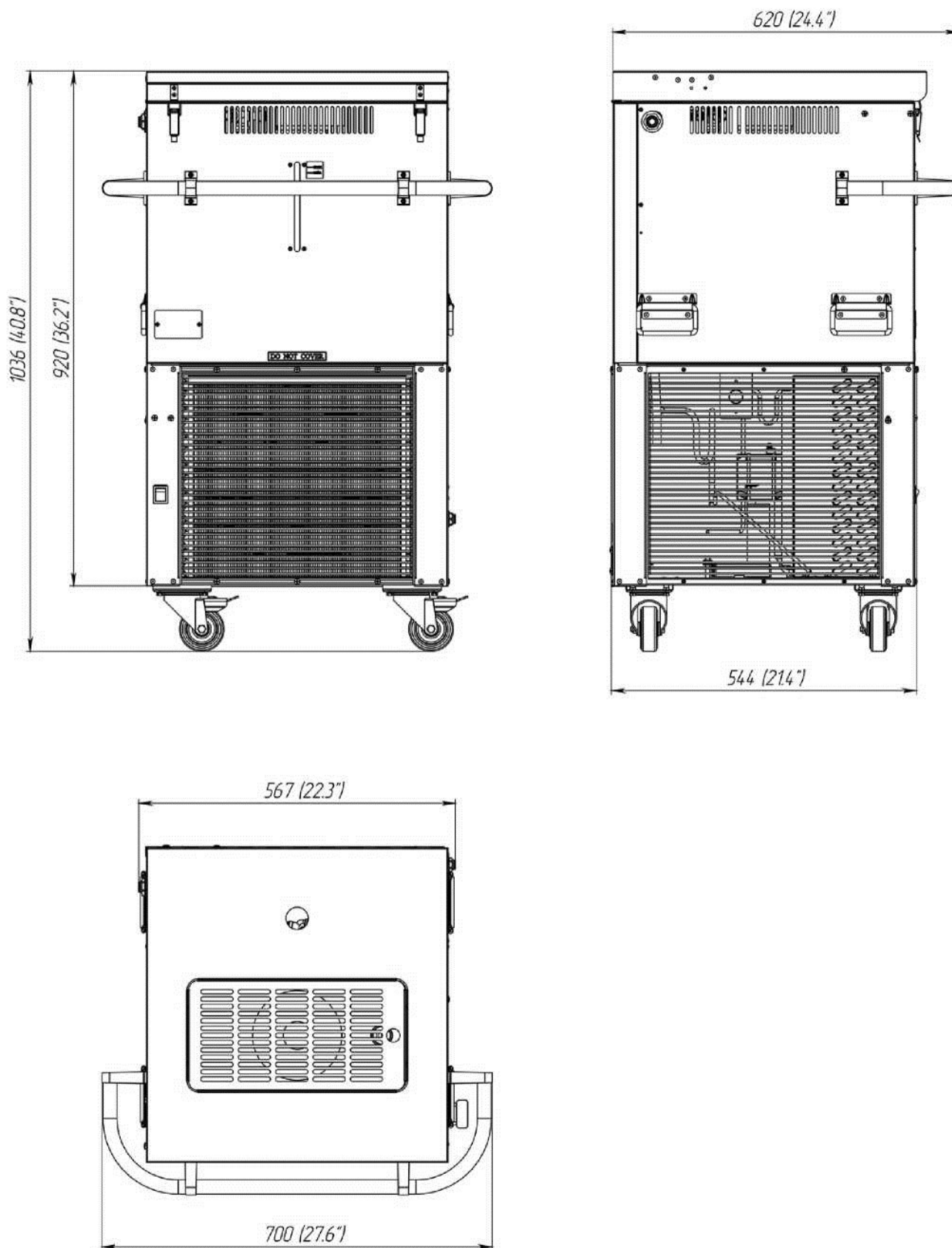
Specifications



Internal Number	133.00.000.00
Part Number	V-200E
Capacity, GPH (AT = 30°F)	53
Electrical network, V/Hz	115/60
Compressor Power, HP	1/2+
Operating amperage max./nom., A	10/9
Water Tank volume, Gal	16
Water Pump capacity, GPH/PSIG	250/10
Ice bank, lbs	65
Refrigerant	R-134a
Ice forming time (Tamb=75°F), h	5
Outlet temperature, °F	38 ÷ 46
Number of coils (steel AISI 304)	1, 2, 3, 4 or 6
Coil's diameter, mm	Ø 8,0
Coil's length, ft	62
	62
	62
	57
	54
Height, in	40,8
Width, in	27,6
Depth, in	24,4
Net Weight, lbs	190
Power cord length, ft	6,6
Operating ambient temperature, °F	75-90
Clearance	at least 12" around the entire unit
Refrigerant (R134a) charge, lb	1.08
Cooler body	stainless steel

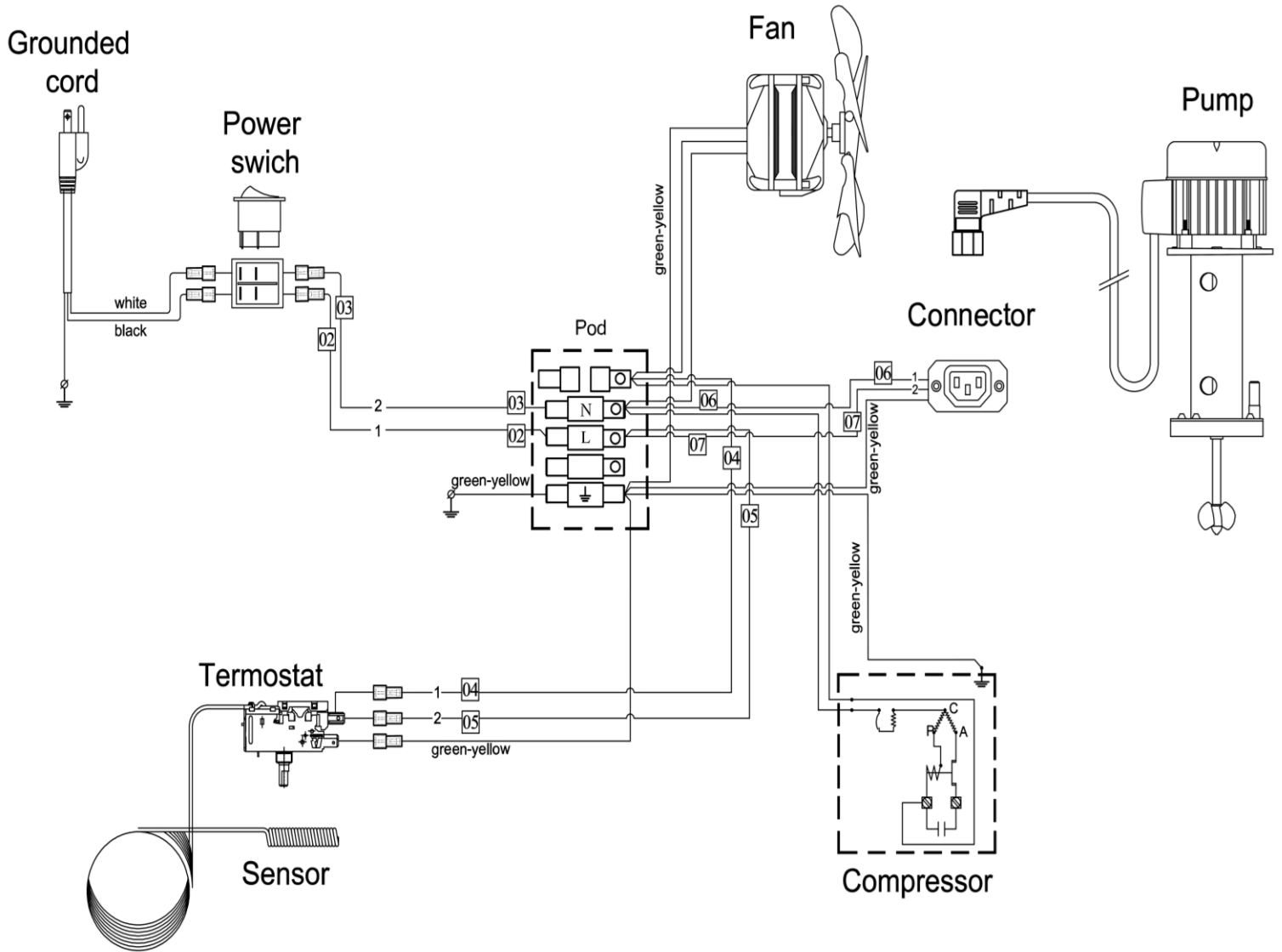
Beer Cooler V-200E

Overall dimensions



Beer Cooler V-200E

Wiring diagram



Beer Cooler V-200E

Parts

1	Compressor "EMBRACO" NT 6215 Z (115V, 60 Hz)
2	Air condenser "KARYER" B-16804, UL
3	Evaporator
4	Filter dryer "BVB" GR-30
5	Thermostat "RANCO" K-50 H2005-003
6	Terminal block "ITW Elettrogibi" PA104
7	Water tank
8	Water-pump Totton SPC-51L (115V, 60 Hz)
9	Overflow pipe
10	Wheel
11	Drainage
12	Handle
13	Drainage tap
14	Coils
15	Drip tray
16	Fan motor "ELCO" NU 16-30-2/096 (115V, 60 Hz)
17	Power switch "ARCOLECTRIC" C6053ALNBN (20A)

